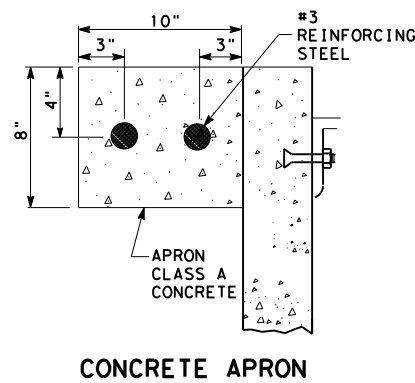


**TYPE 1
GROUND BOX**

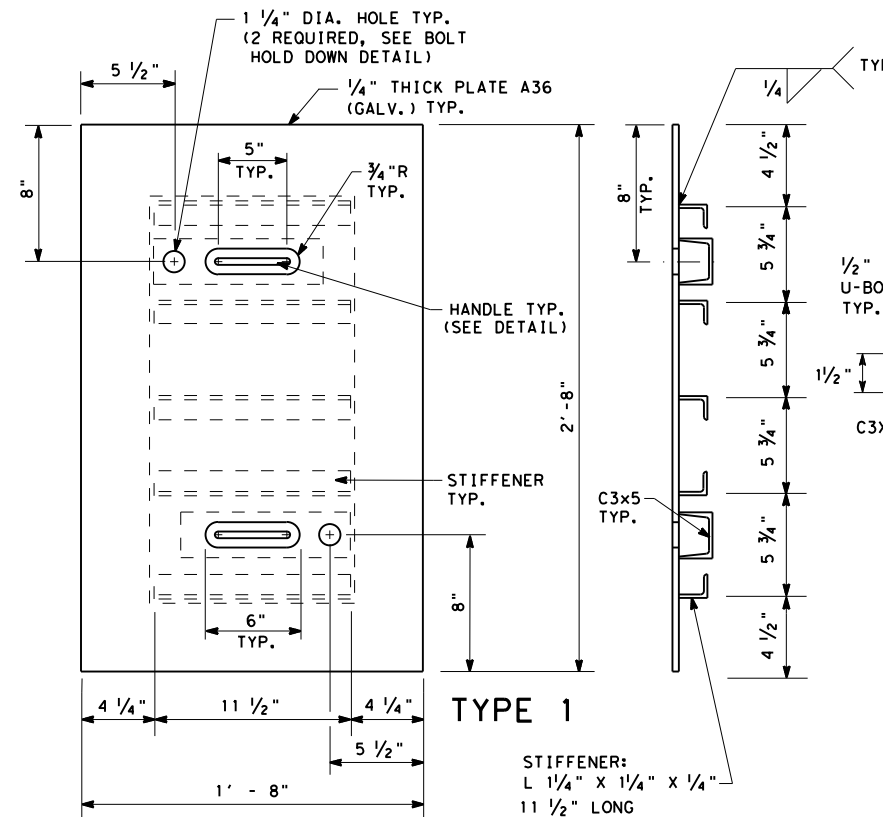
**TYPE 2
GROUND BOX
W/APRON**



CONCRETE APRON

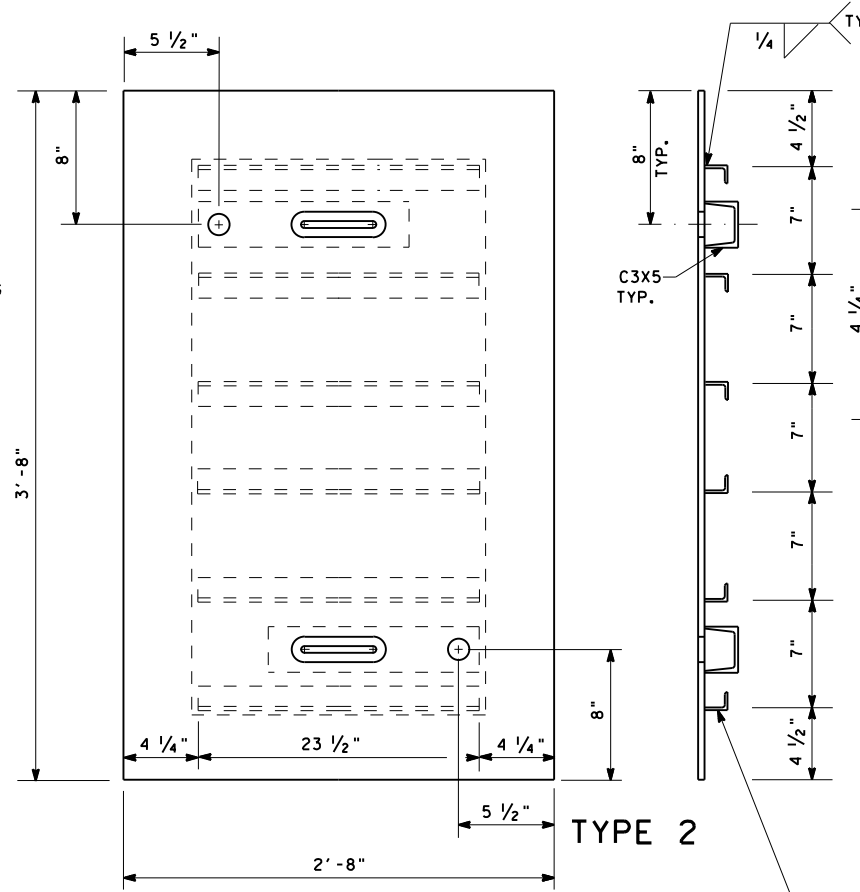
NOTES:

- FURNISH REINFORCED CONCRETE GROUND BOXES CONSTRUCTED TO THE APPROXIMATE DIMENSIONS SHOWN ON THIS SHEET.
- FURNISH GALVANIZED STEEL CHECKERED FLOOR PLATE GROUND BOX COVERS WITH 1 IN. RAISED LETTERS READING "TRAFFIC SIGNALS" OR "F. O. CABLE". SECURE COVERS TO THE GROUND BOX AS SHOWN ON THIS SHEET WITH 3/8 IN. DIA. (MIN.) BOLTS.
- PROVIDE A GROUNDING LUG FOR STEEL COVERS WITH 1/2"-13 UNC FEMALE THREADS ON THE UNDERSIDE OF THE COVER.
- FURNISH FLEXIBLE METAL BRAID TYPE GROUNDING STRAP. ENSURE THE STRAP IS NO LESS THAN 1 IN. IN WIDTH AND 5 FT. MIN. IN LENGTH TO ALLOW FOR GROUND BOX COVER REMOVAL FROM THE BOX WITHOUT DISCONNECTING THE GROUND STRAP.
- AFTER PLACING GROUND BOX, FURNISH AND INSTALL BACKFILL FOR THE EXCAVATED AREA AND COMPACT THE FILL TO THE DENSITY OF THE SURROUNDING GROUND AS APPROVED BY THE ENGINEER.
- AFTER INSTALLING CONDUIT THROUGH KNOCKOUT, GROUT REMAINING OPENING OF KNOCKOUT.
- PLACE GROUND BOXES AS SHOWN ON LAYOUT SHEET. FURNISH ADDITIONAL GROUND BOXES IF REQUIRED.
- PLACE TYPE 1 GROUND BOXES AT 350 FT. MAXIMUM SPACING. PLACE TYPE 2 GROUND BOXES AT 1,000 FT. MAXIMUM SPACING OR AS DIRECTED BY THE ENGINEER.
- FURNISH CLASS "A" CONCRETE.



TYPE 1

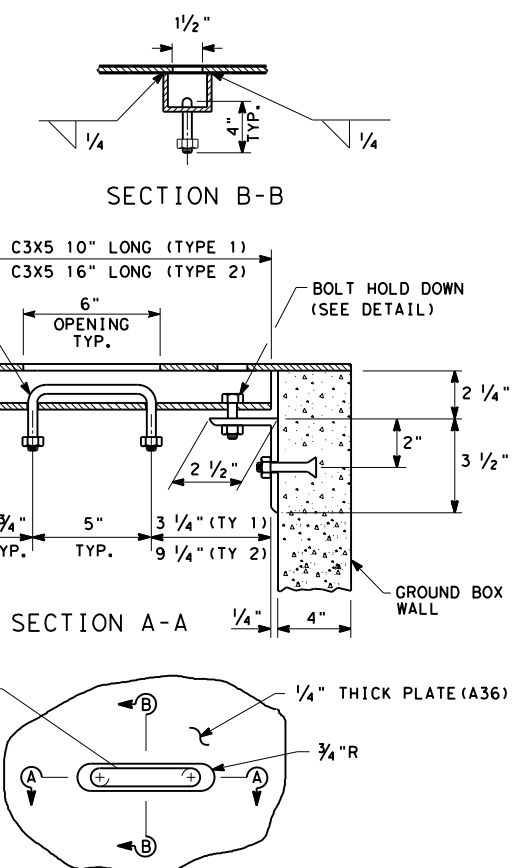
STIFFENER:
L 1 1/4" X 1/4" X 1/4"
11 1/2" LONG



TYPE 2

STIFFENER:
L 1 1/4" X 1/4" X 1/4"
23 1/2" LONG

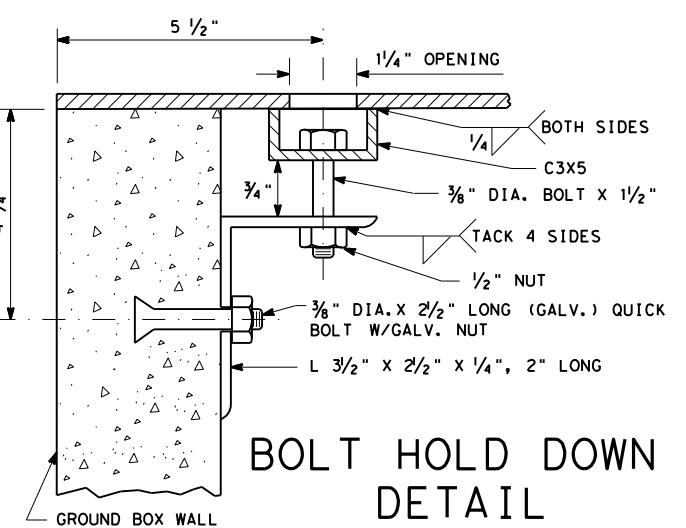
COVER DETAIL



SECTION B-B

SECTION A-A

HANDLE DETAIL



**BOLT HOLD DOWN
DETAIL**
(2 REQUIRED)

Texas Department of Transportation
Houston District

**SIGNAL DETAILS/STANDARDS
GROUND BOX DETAILS
INSTALLATIONS**

GBDI

FILE:	DN:	CK:	DW:	CK:
© TxDOT 2004	DIST	FED REG	PROJECT NO.	SHEET
08-04 REVISIONS	HOU	6		
04-17 REVISIONS	COUNTY	CONTROL	SECT	JOB
				HIGHWAY