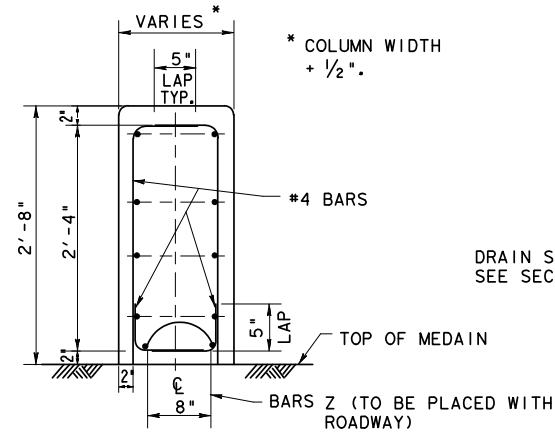
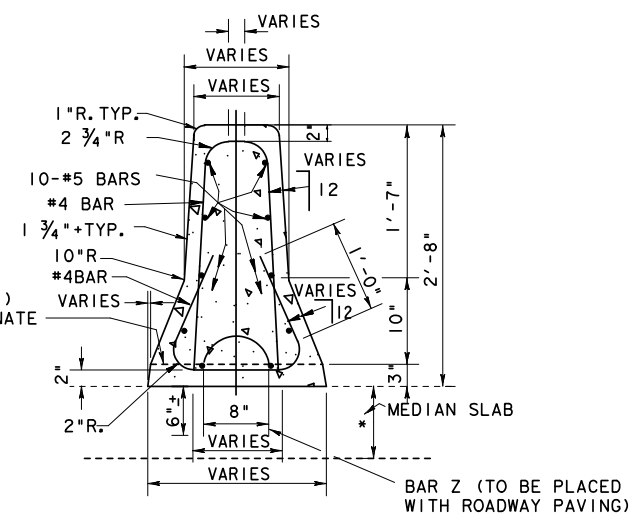


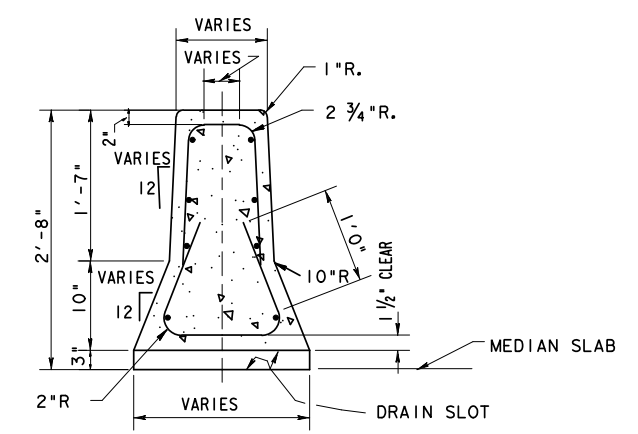
SECTION "A-A"



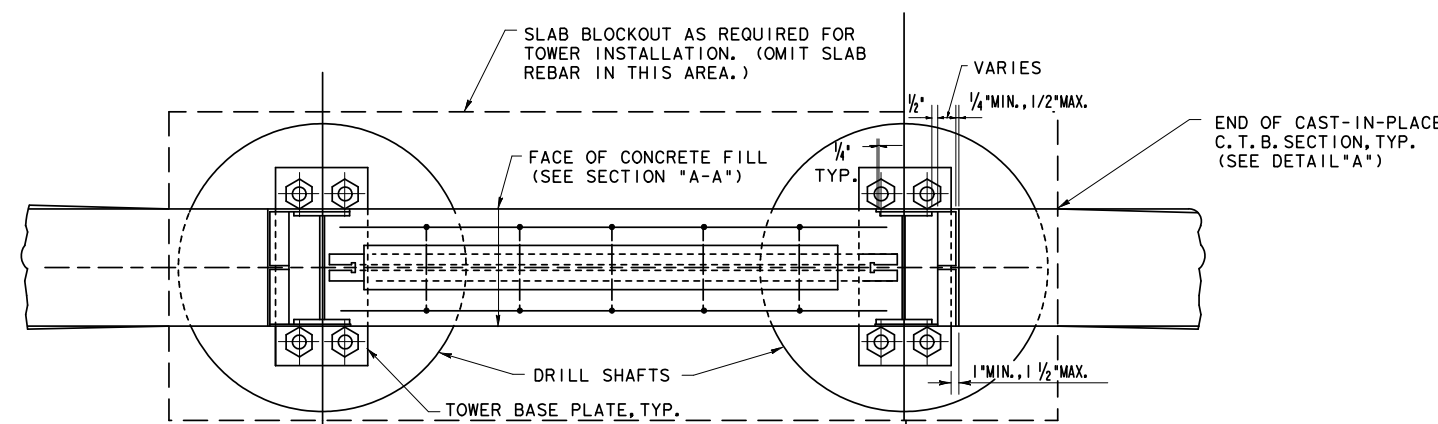
SECTION "B-B"



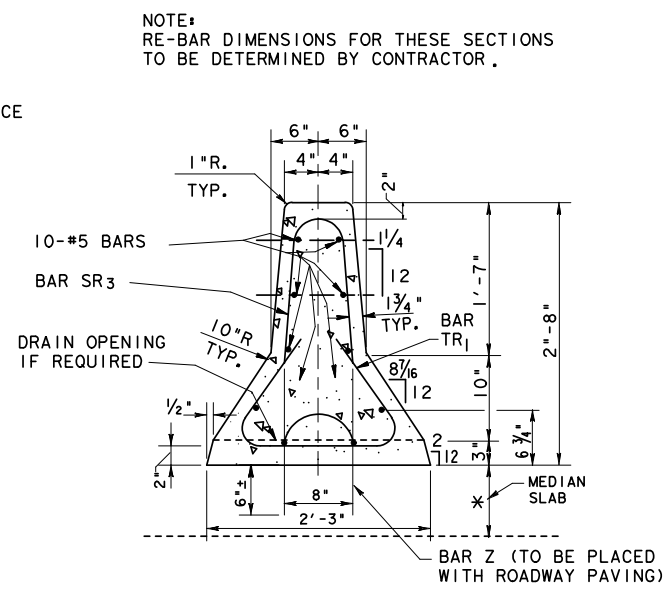
SECTION "C-C" TYPICAL SECTION



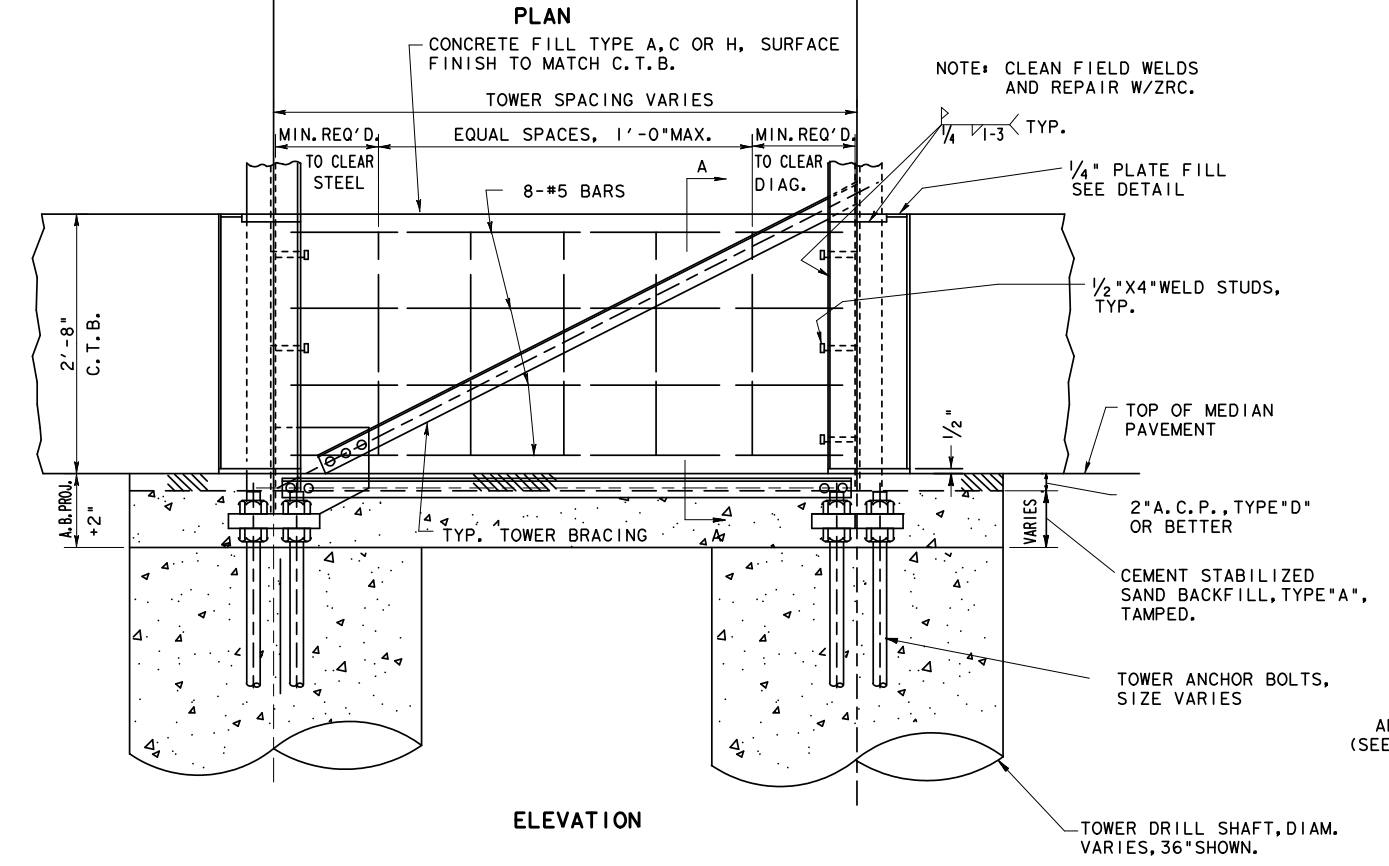
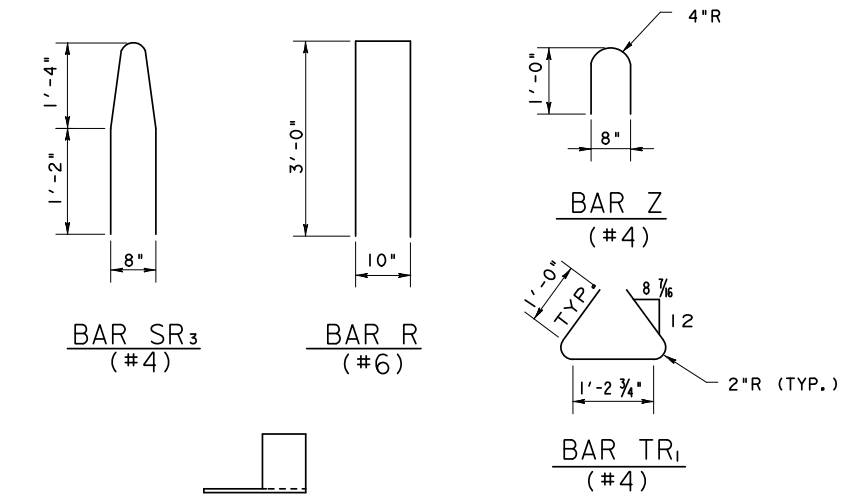
SECTION "C-C" ALTERNATE (AT DRAIN SLOTS, WHEN REQUIRED)



PLAN



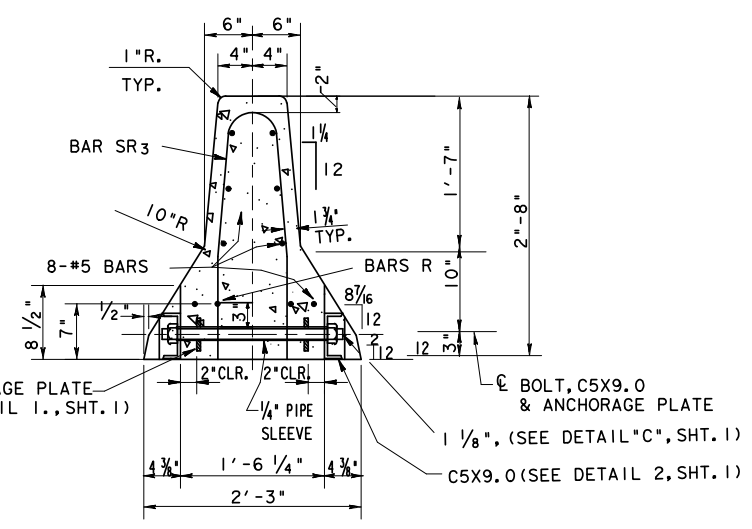
SECTION "D-D"



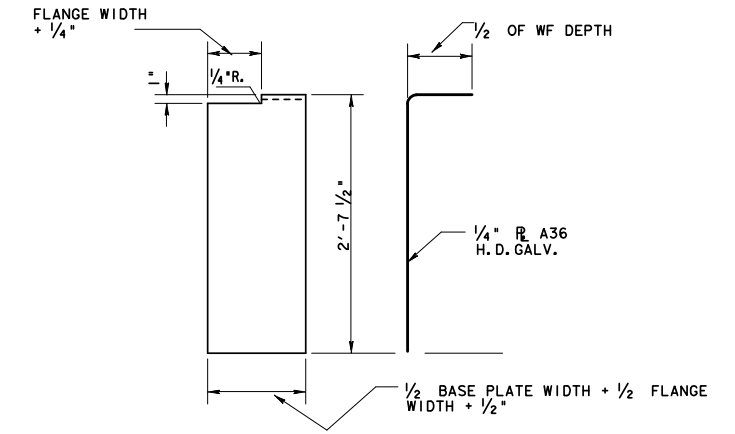
ELEVATION

DETAIL "A"

TOWER FOUNDATION DETAILS



SECTION "E-E"



FILLER PLATE

(4) REQ'D., (2) THUS, (2) OPPOSITE

Texas Department of Transportation
Houston District

CONCRETE TRAFFIC BARRIER
(ROADWAY CTB AT OVERHEAD SIGN
BRIDGE TOWER CAST IN PLACE)

CTB (OSB-2) - 92

| | | | | |
|--------------|------|---------|-------------|---------|
| FILE# | DN# | CK# | DW# | CK# |
| © TxDOT 1998 | DIST | FED REG | PROJECT NO. | SHEET |
| REVISIONS | HOU | 6 | COUNTY | CONTROL |
| | | | SECT | JOB |
| | | | | HIGHWAY |