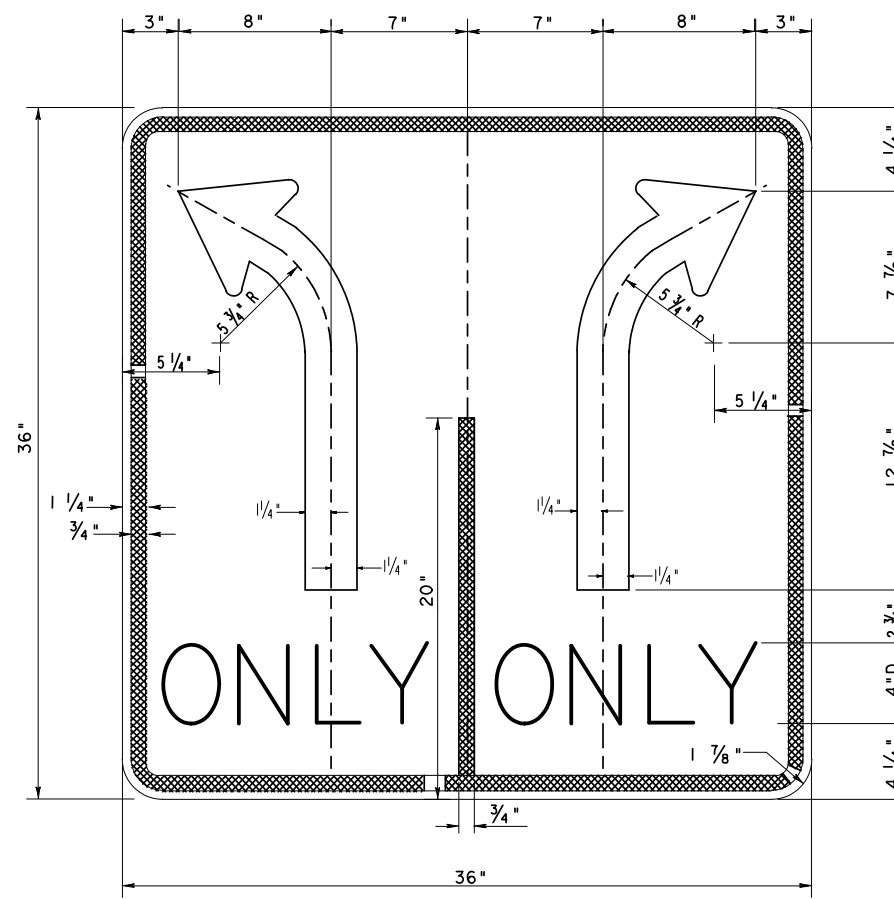
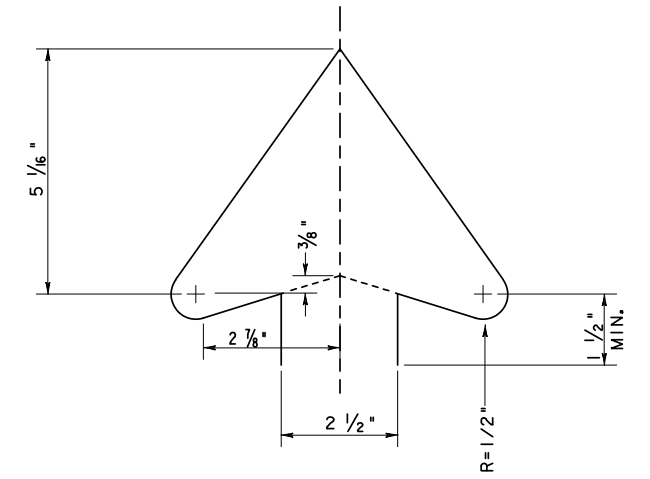


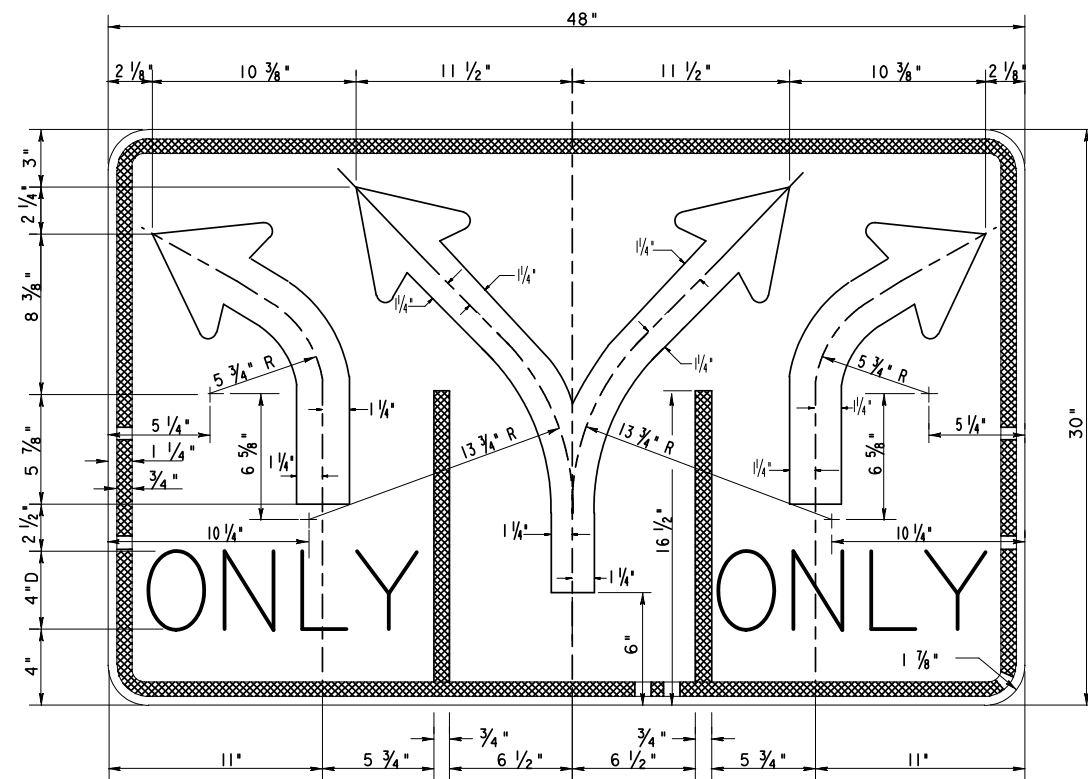
R3-8B



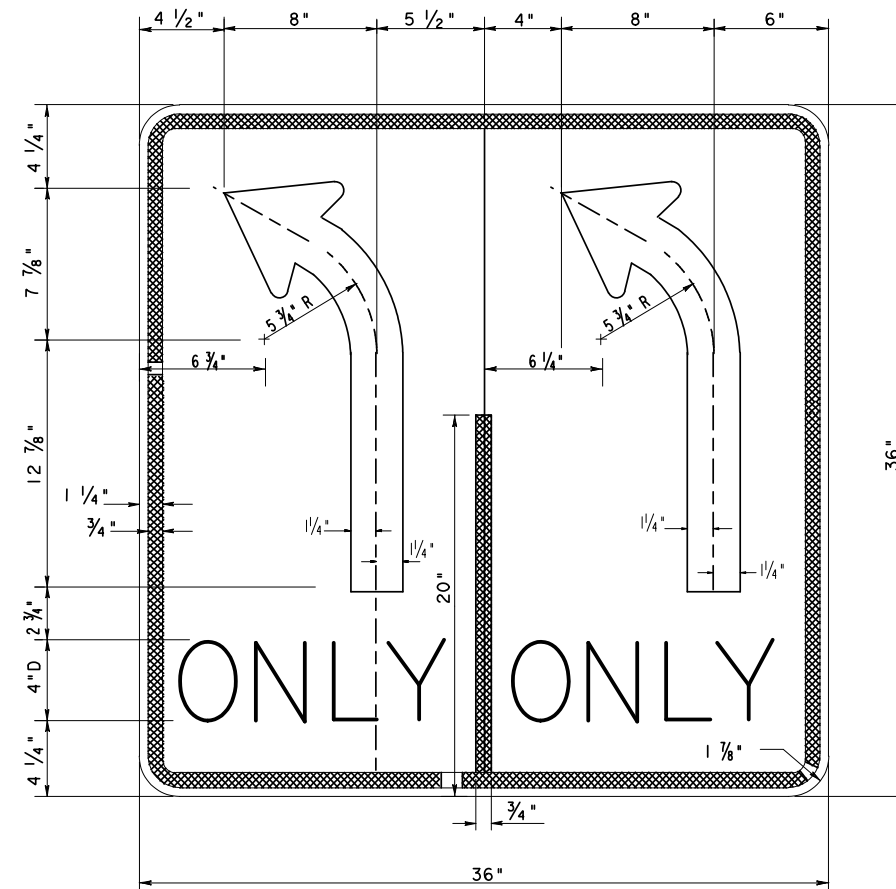
R3-8DT



TYPICAL
ARROWHEAD DETAIL



R3-8LR



R3-8LT

- LETTERS - BLACK
- SYMBOLS - BLACK
- BORDERS - BLACK
- BACKGROUND- WHITE REFLECTIVE

For Department Material Specifications and General Notes see "TSR Series" Standard.



REGULATORY SIGNS
(LANE USE CONTROL)

R (LUC-1) -04

FILE:	DN:	CK:	DW:	CK:
© TxDOT 1998	DIST	FED REG	PROJECT NO.	SHEET
REVISIONS	HOU	6		
	COUNTY	CONTROL	SECT	JOB
				HIGHWAY