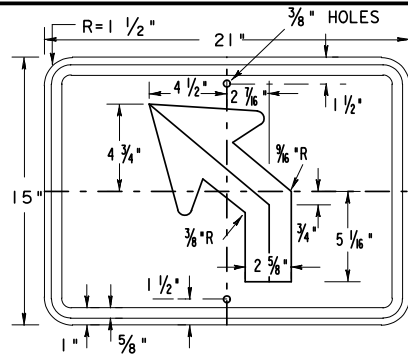
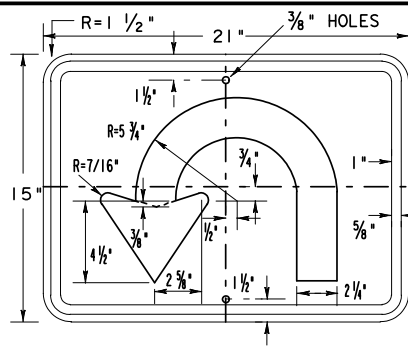


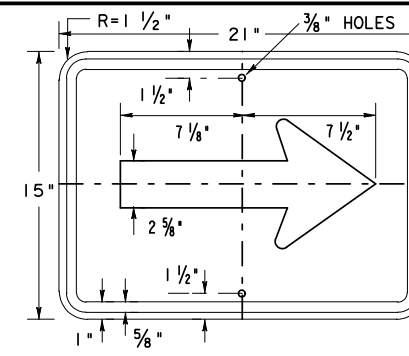
M5-1PL  
M5-1PR  
21" X 15"



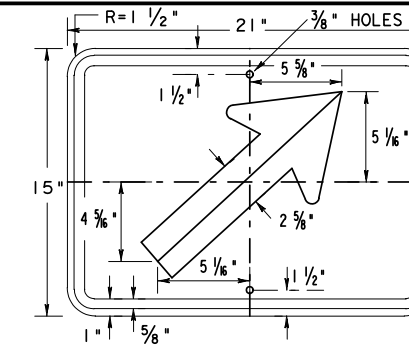
M5-2PL  
M5-2PR  
21" X 15"



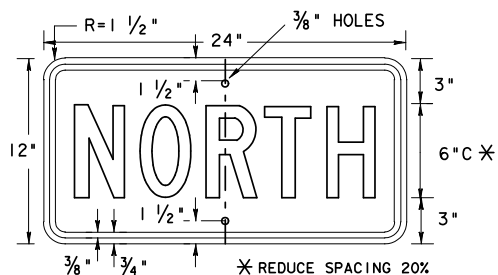
M5-3PL  
21" X 15"



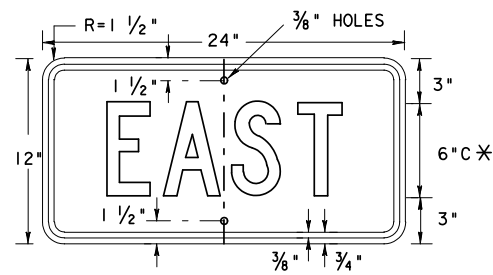
M6-1P  
21" X 15"



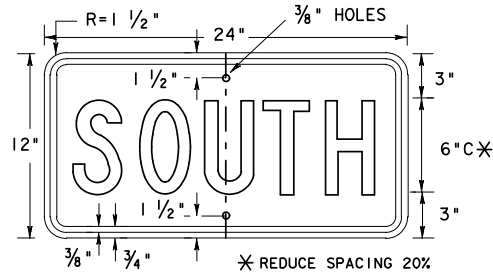
M6-2PR  
M6-2PL  
21" X 15"



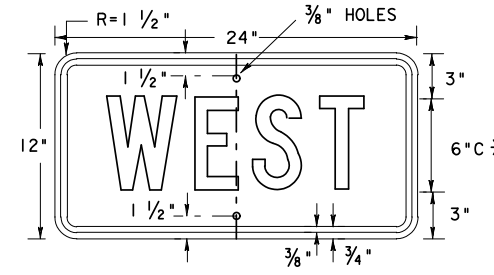
M3-1P  
24" X 12"



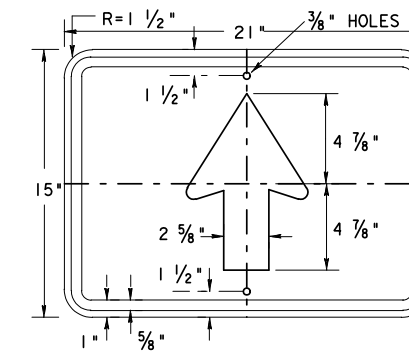
M3-2P  
24" X 12"



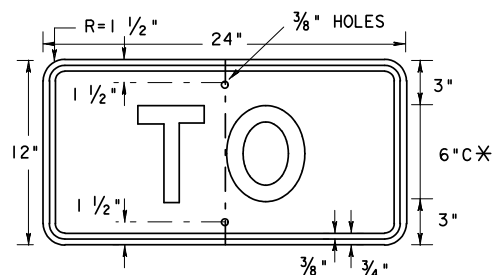
M3-3P  
24" X 12"



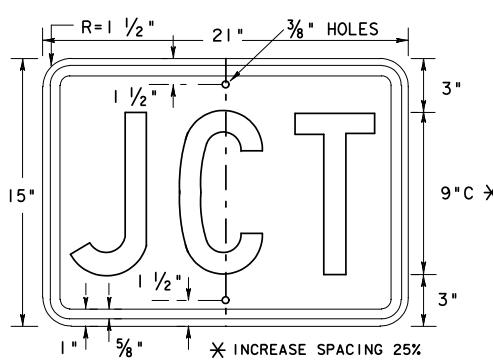
M3-4P  
24" X 12"



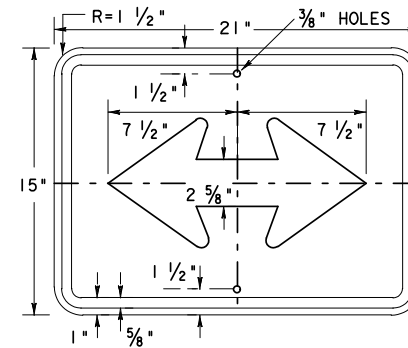
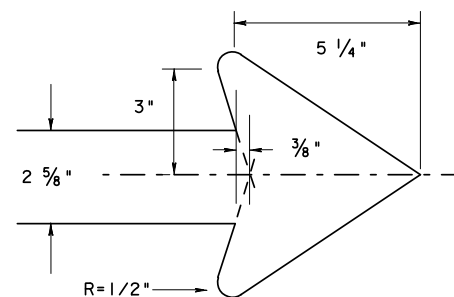
M6-3P  
21" X 15"



M4-5P  
24" X 12"



M2-1P  
21" X 15"



M6-4P  
21" X 15"

- LETTERS - YELLOW REFLECTIVE
- SYMBOLS - YELLOW REFLECTIVE
- BORDERS - YELLOW REFLECTIVE
- BACKGROUND - PURPLE REFLECTIVE

THE PURPLE COLOR SHALL BE PANTONE 266.  
THE YELLOW COLOR SHALL BE PANTONE 109.

For Department Material Specifications and General Notes see "TSR Series" Standard.



TOLL ROAD ROUTE MARKER  
AUXILIARIES

TRM(2)-04

FILE#	DN#	CK#	DW#	CK#
© TxDOT 1998	DIST	FED REG	PROJECT NO.	SHEET
REVISIONS	HOU	6		
	COUNTY	CONTROL	SECT	JOB
				HIGHWAY