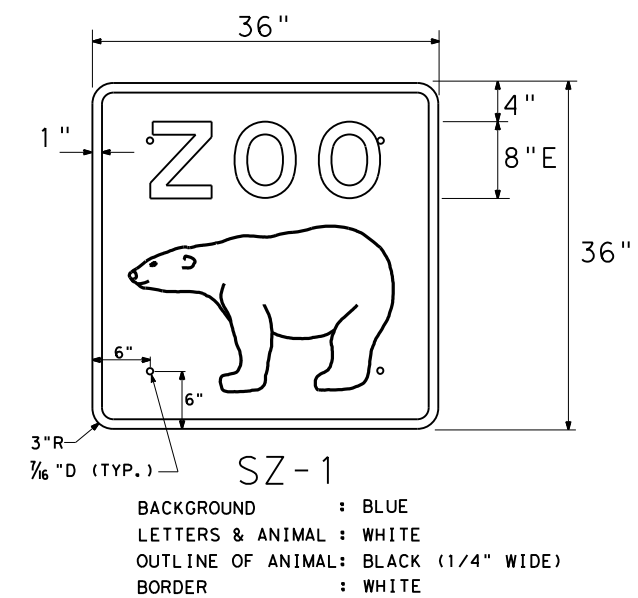
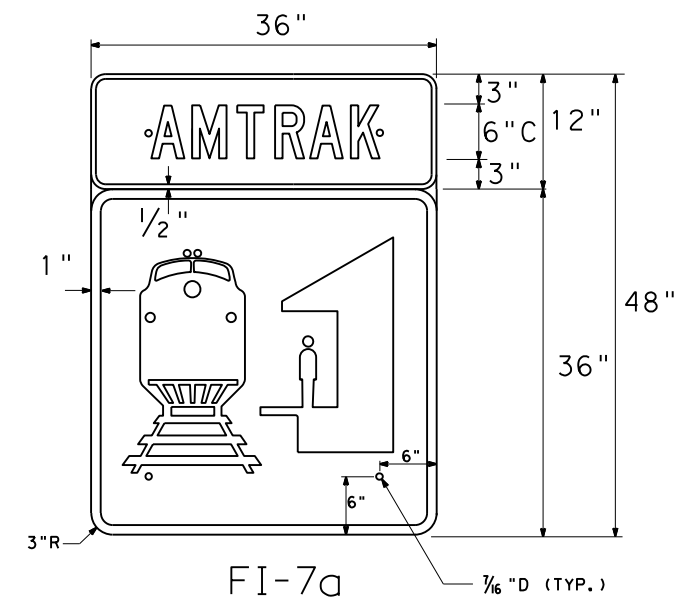


SZ-1*



NOTES:

1. For Signing Specifications see the applicable Typical Sign Requirements (TSR) Standards.



ROUTING SIGN DETAILS

(FOR ATTACHMENT ON OVERHEAD AND LARGE GROUND MOUNTED SIGNS)

RSD(1)-17

FILE:	DN:	CK:	DW:	CK:
© TxDOT 1998	DIST	FED REG	PROJECT NO.	SHEET
REVISIONS 12-12-06 07-12-17 08-11-17	HOU	6		
	COUNTY	CONTROL	SECT	JOB
				HIGHWAY

*SCALE: SQUARE (1) = 1 "X1"