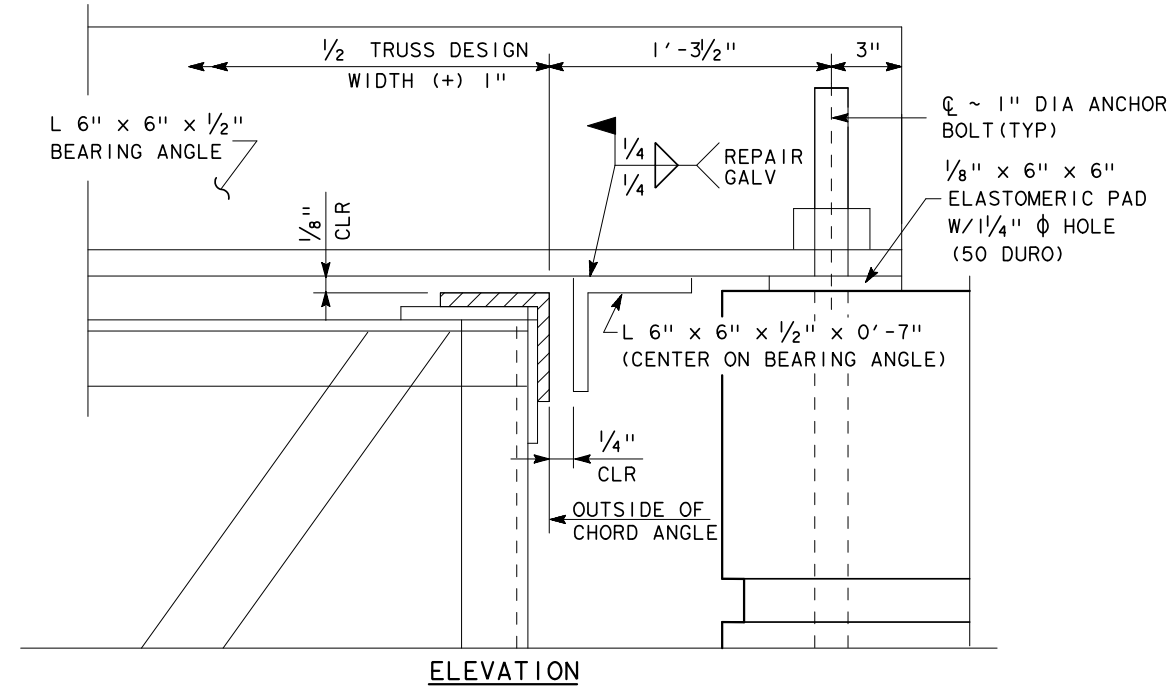
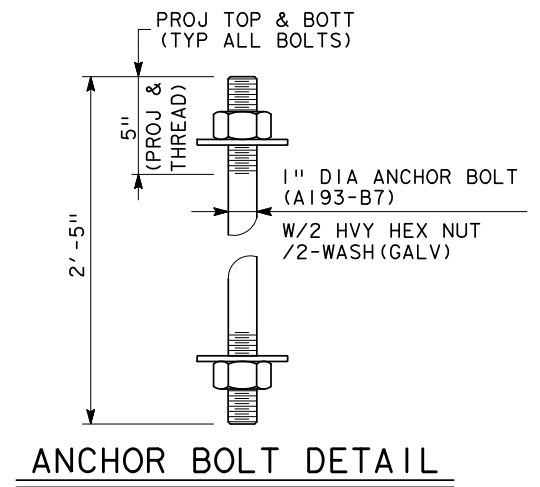


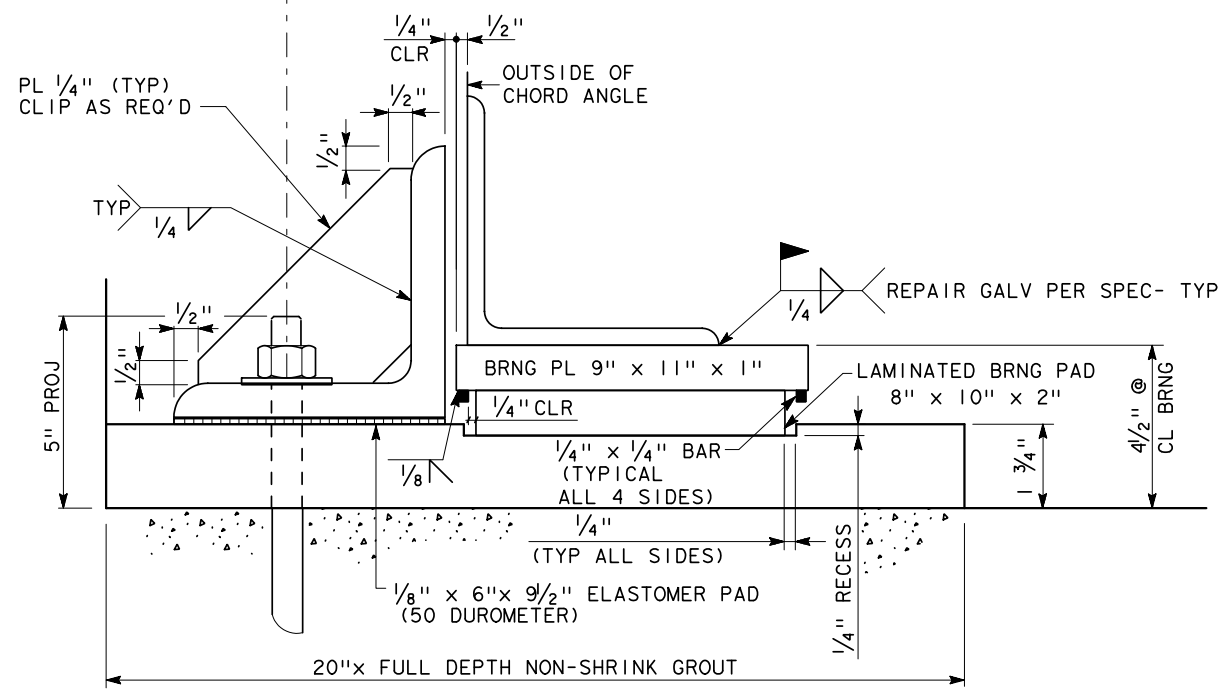
PLAN



UPPER LATERAL GUIDE AND BEARING PLATE DETAIL



6 TOTAL REQ'D PER COLUMN (2 TOP, 4 BOTTOM)  
SNUG TIGHTEN ALL ANCHOR BOLT NUTS

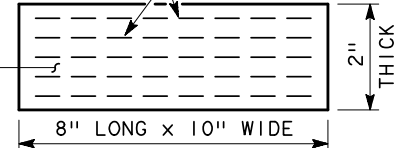


LOWER LATERAL GUIDE AND BEARING PLATE DETAIL

NO DIRECT PAY FOR ELASTOMERIC PADS OR ANCHOR BOLTS  
PAYMENT FOR SIGN BRIDGE TO INCLUDE LATERAL GUIDES

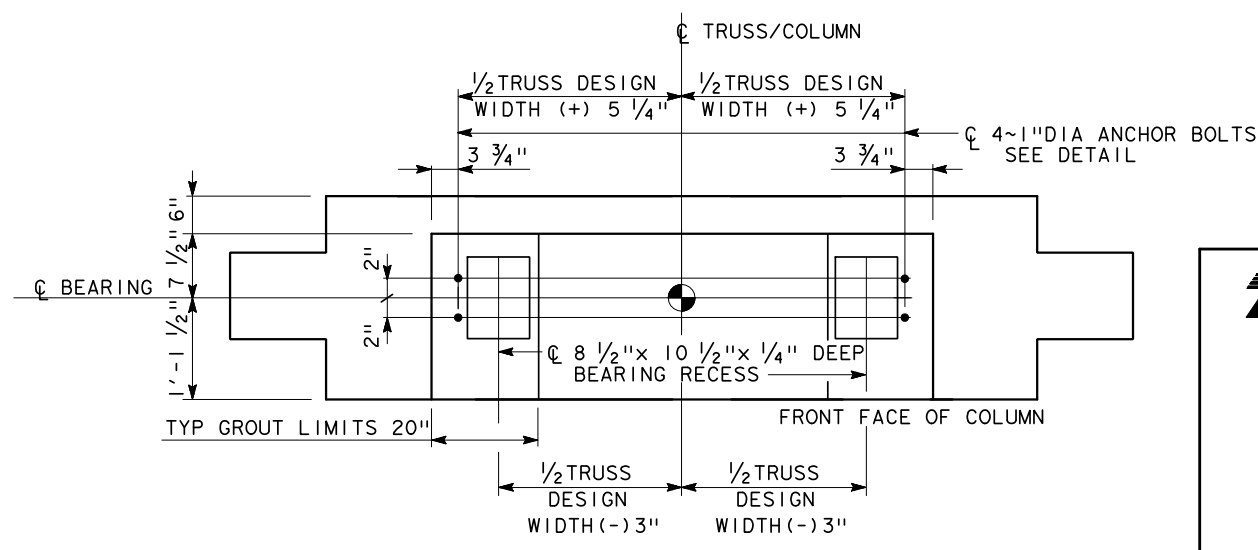
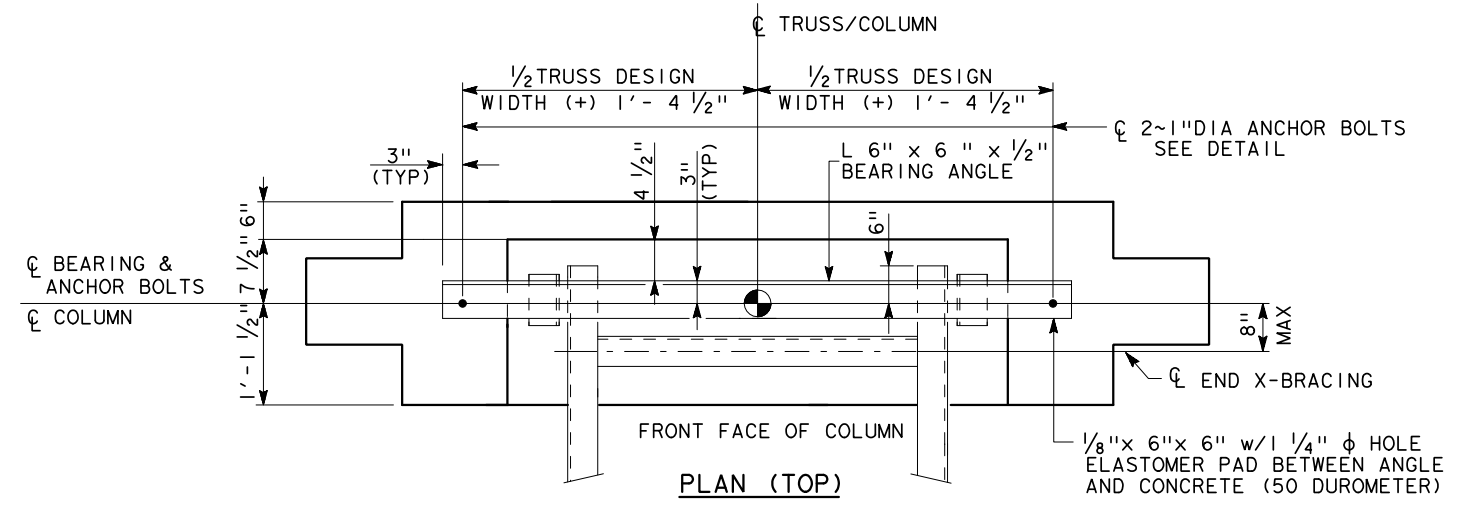
PLACE 0.105" THICK STEEL LAMINATES PARALLEL TO THE BOTTOM SURFACE OF THE PAD

50 DUROMETER ELASTOMER (6 ~ 1/4" THICK LAYERS)



LAMINATED ELASTOMERIC BEARING DETAILS

\* THE USE OF POLY ISOPRENE (NATURAL RUBBER) IS NOT ALLOWED



ANCHOR BOLT LAYOUT

OVERHEAD SIGN BRIDGE  
COLUMN DETAILS  
HORIZONTAL SCHEME

OSB-HS

FILE#	STN37.DGN	DN#	HOU	CK#	HOU	DW#	HOU	CK#	HOU
© TXDOT	AUGUST 2011	DISTRICT	HOUSTON	FED REG	6	PROJECT NO.		SHEET	
REVISIONS		COUNTY		CONTROL		SECT		JOB	