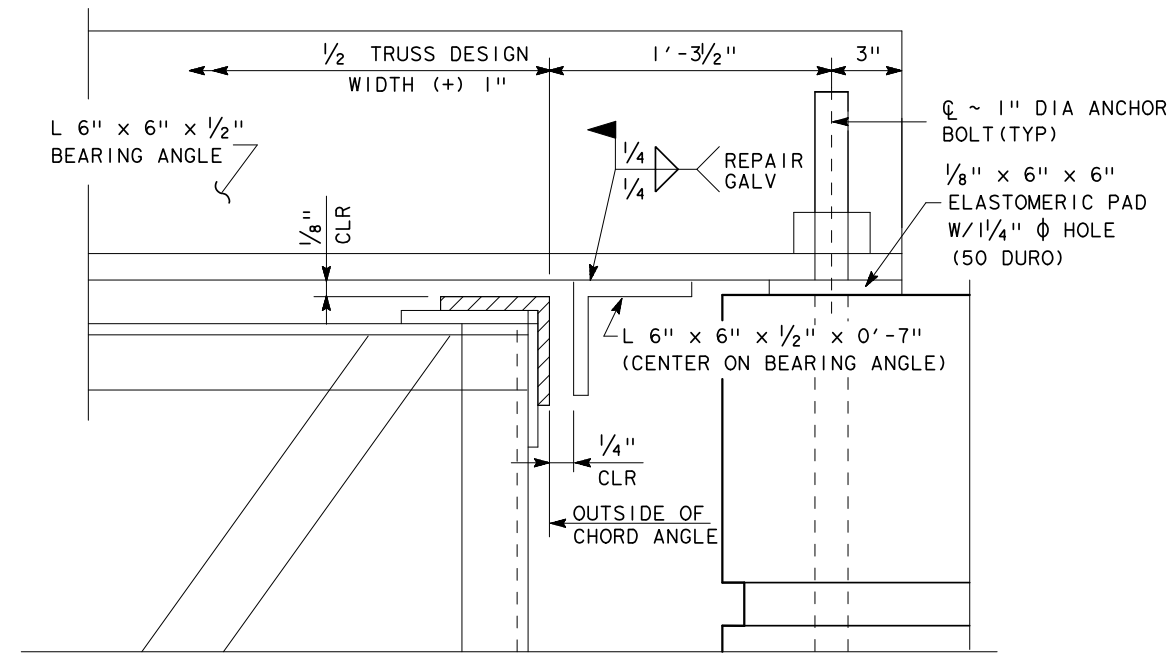
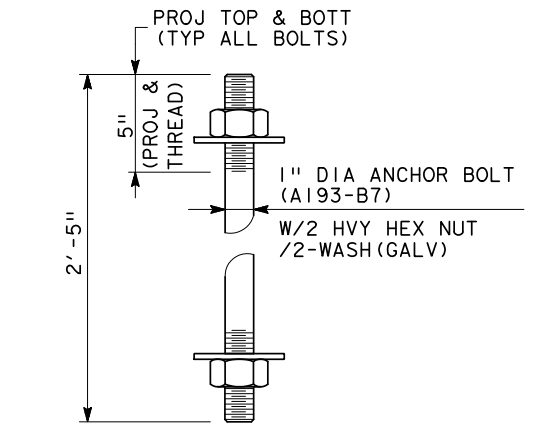


PLAN



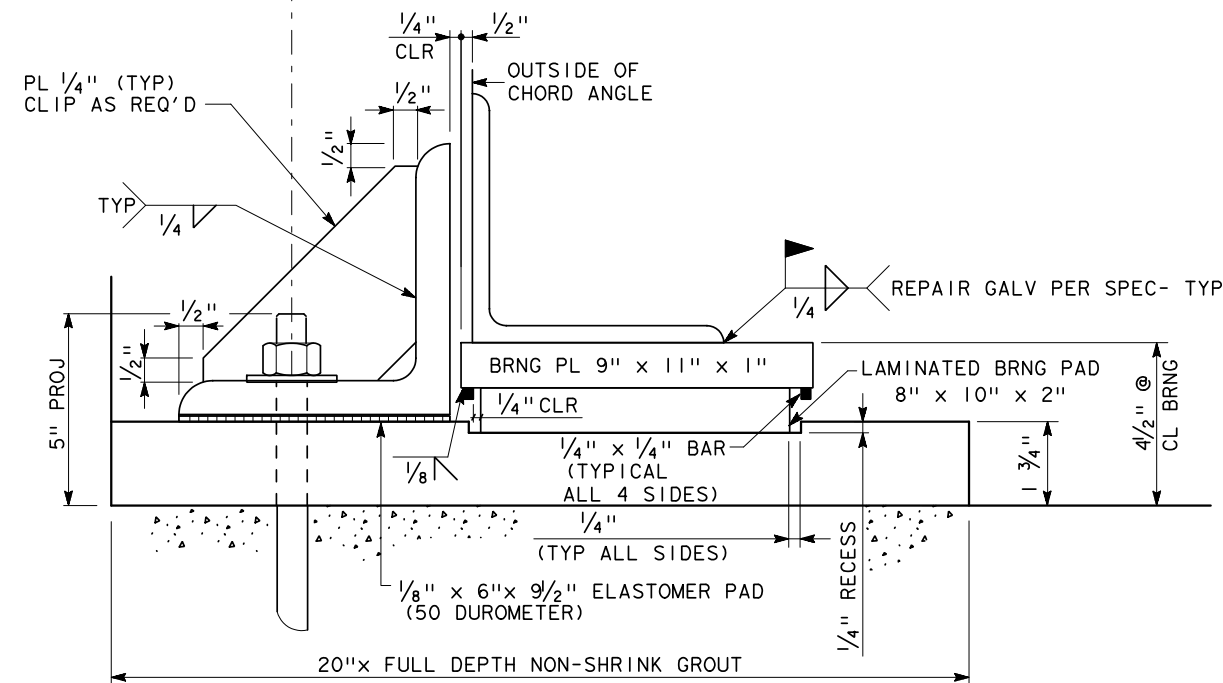
ELEVATION



ANCHOR BOLT DETAIL

6 TOTAL REQ'D PER COLUMN (2 TOP, 4 BOTTOM)  
SNUG TIGHTEN ALL ANCHOR BOLT NUTS

UPPER LATERAL GUIDE AND BEARING PLATE DETAIL



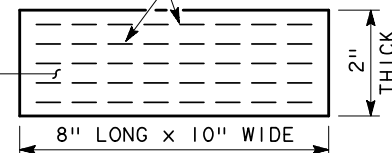
ELEVATION

LOWER LATERAL GUIDE AND BEARING PLATE DETAIL

NO DIRECT PAY FOR ELASTOMERIC PADS OR ANCHOR BOLTS  
PAYMENT FOR SIGN BRIDGE TO INCLUDE LATERAL GUIDES

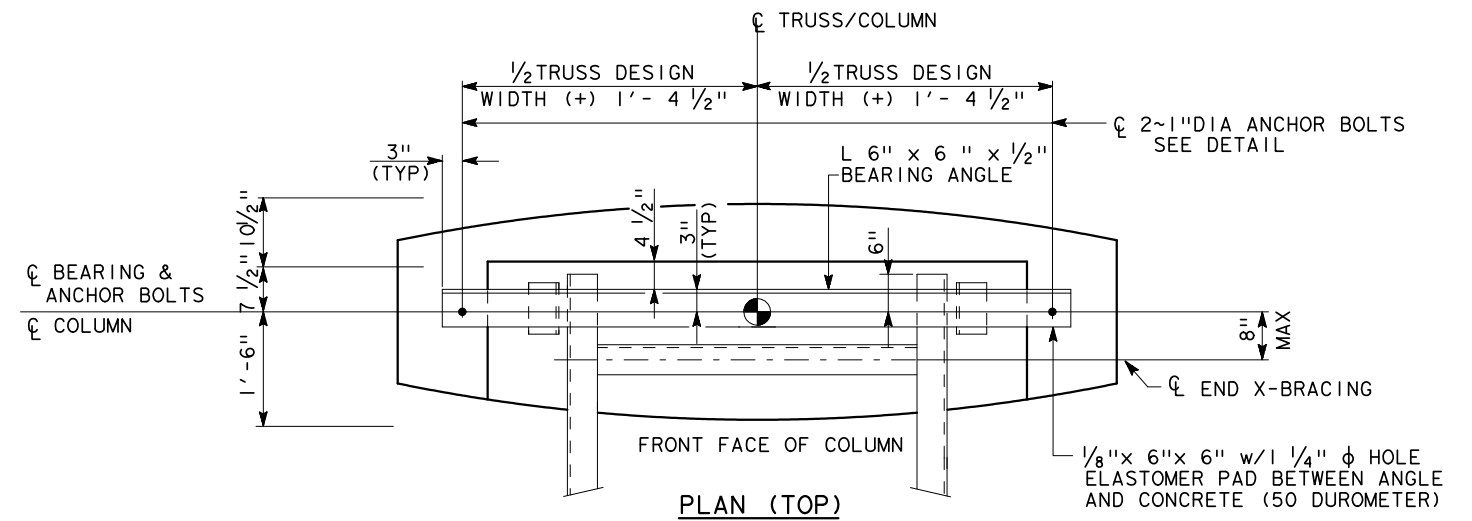
PLACE 0.105" THICK STEEL LAMINATES PARALLEL TO THE BOTTOM SURFACE OF THE PAD

50 DUROMETER ELASTOMER (6 ~ 1/4" THICK LAYERS)

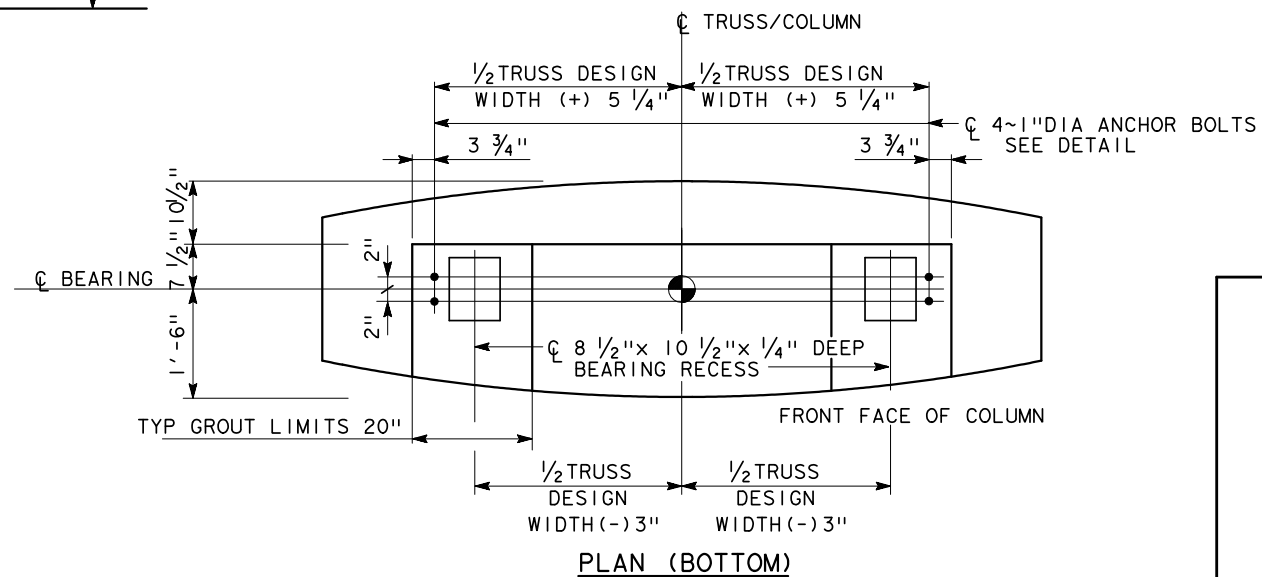


LAMINATED ELASTOMERIC BEARING DETAILS

\* THE USE OF POLY ISOPRENE (NATURAL RUBBER) IS NOT ALLOWED



PLAN (TOP)



PLAN (BOTTOM)

ANCHOR BOLT LAYOUT

FILE#	STDN39.DGN	DN#	HOU	CK#	HOU	DW#	HOU	CK#	HOU
©TXDOT	AUGUST 2011	DISTRICT	FED REG	PROJECT NO.	SHEET				
REVISIONS	HOUSTON	6							
COUNTY		CONTROL	SECT	JOB	HIGHWAY				