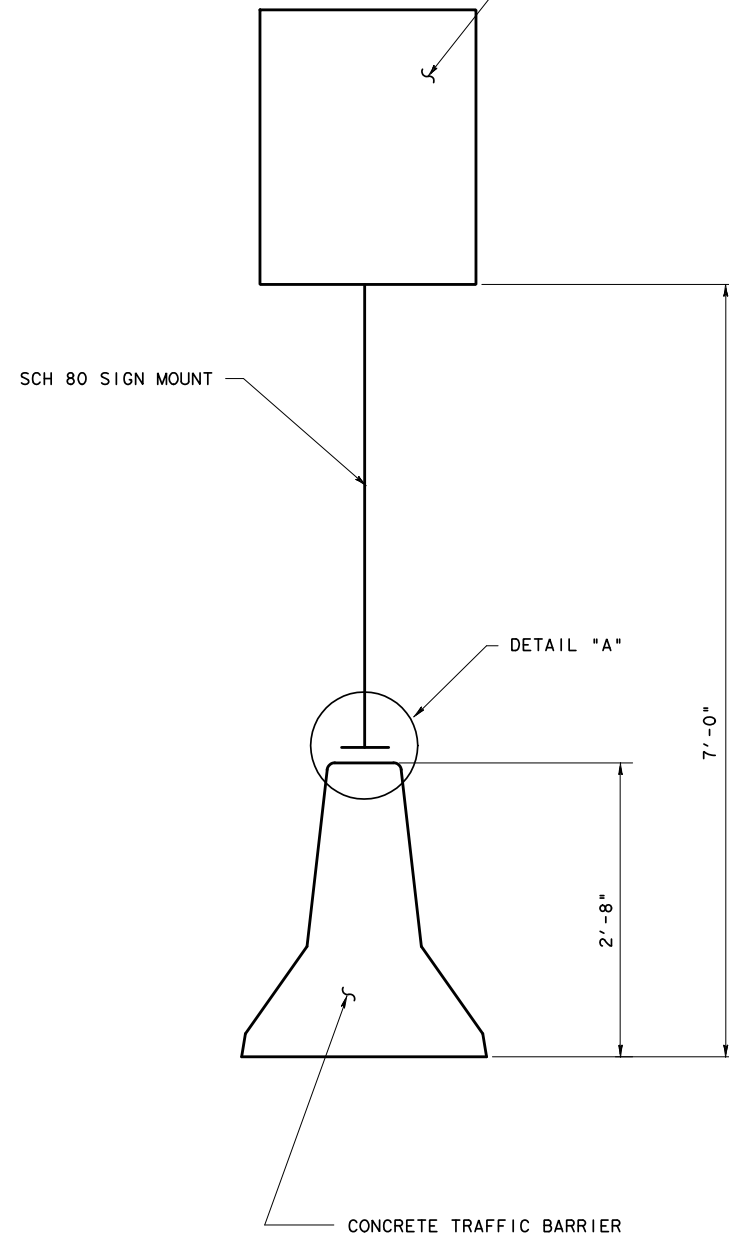
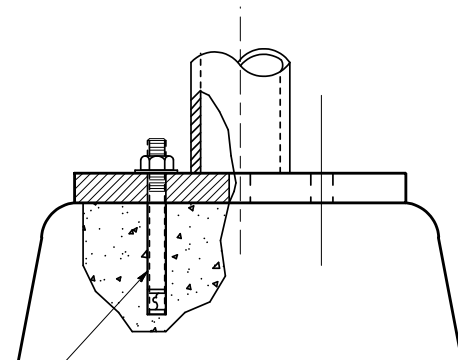


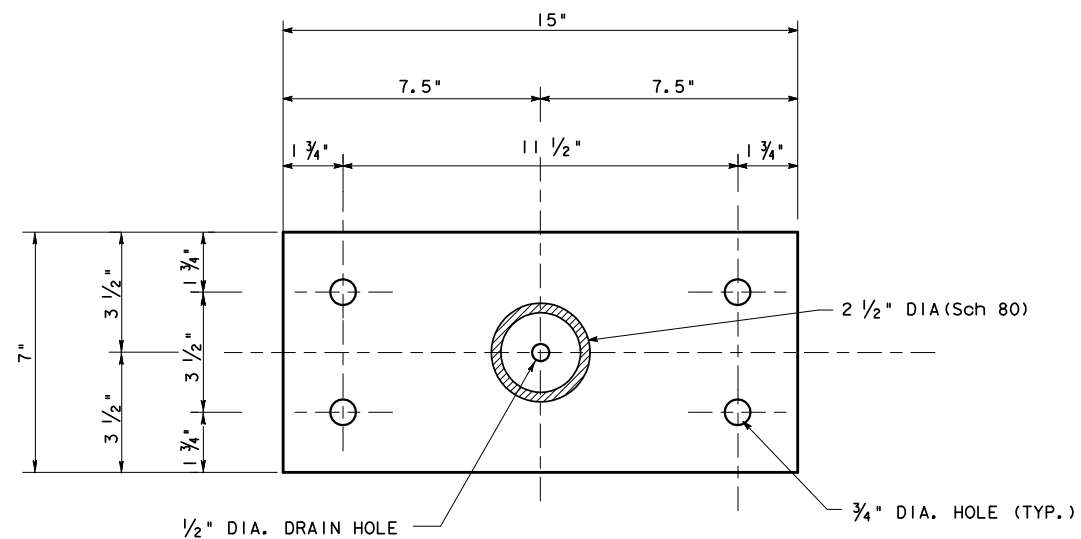
MAX. SIGN AREA = 16.0 SF



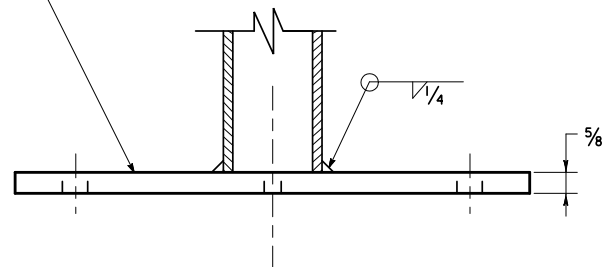
5/8" DIA. CONCRETE ANCHOR
 4 PLACES (EMBED A MINIMUM OF
 5 1/2" AND TORQUE TO MIN. OF
 50 FT-LBS). ANCHOR MAY BE
 EXPANSION OR ADHESIVE TYPE.



DETAIL "A"



5/8"x7"x15"
 Bolt-Down Plate
 (Galv. A36)



NOTES:
 THE CONCRETE TRAFFIC BARRIER SIGN MOUNT SHALL BE PAID FOR UNDER
 THE ITEM, "INS SM RD SN SUP & AM TYPE S80(1)SB(X-XXXX)".

For General Notes, see "SMD Series" Standard
 sheets for Small Roadside Signs.

Texas Department of Transportation
 Houston District

CONCRETE TRAFFIC BARRIER
 SIGN MOUNT

SMD (CTB) -04

FILE#	DN#	CK#	DW#	CK#
© TxDOT 1998	DIST	FED REG	PROJECT NO.	SHEET
REVISIONS	HOU	6		
	COUNTY	CONTROL	SECT	JOB
				HIGHWAY