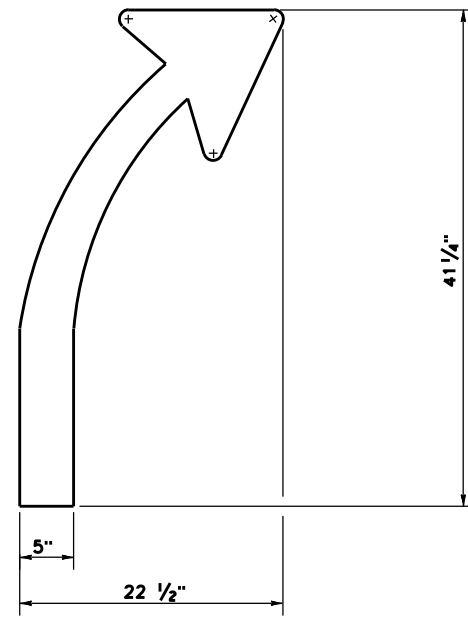
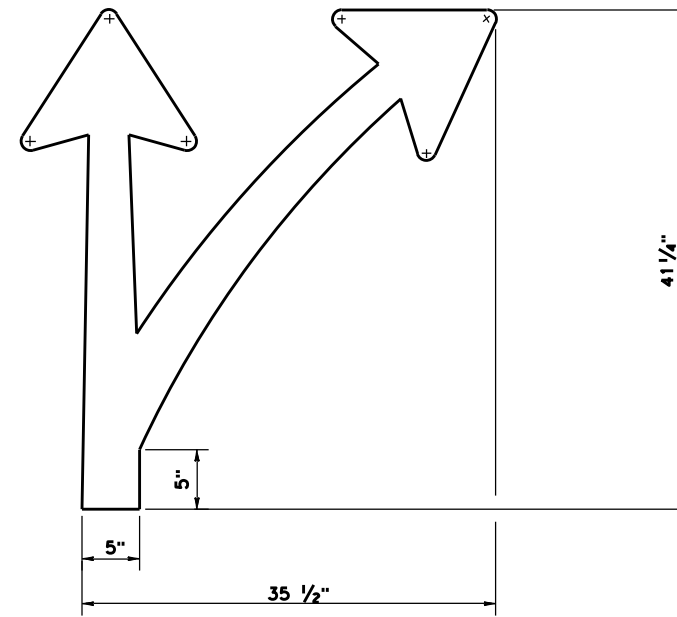


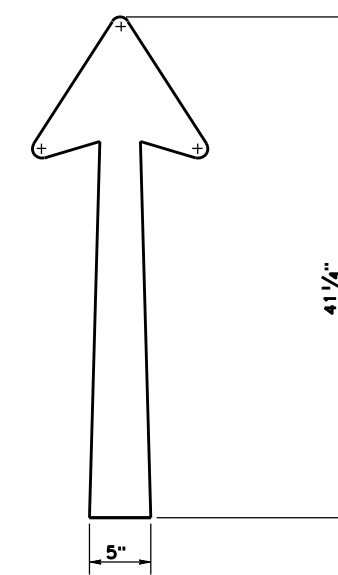
DISCLAIMER: The use of this standard is governed by the "Texas Engineering Practice Act". No warranty of any kind is made by TxDOT for any purpose whatsoever. TxDOT assumes no responsibility for the conversion of this standard to other formats or for incorrect results or damages resulting from its use.



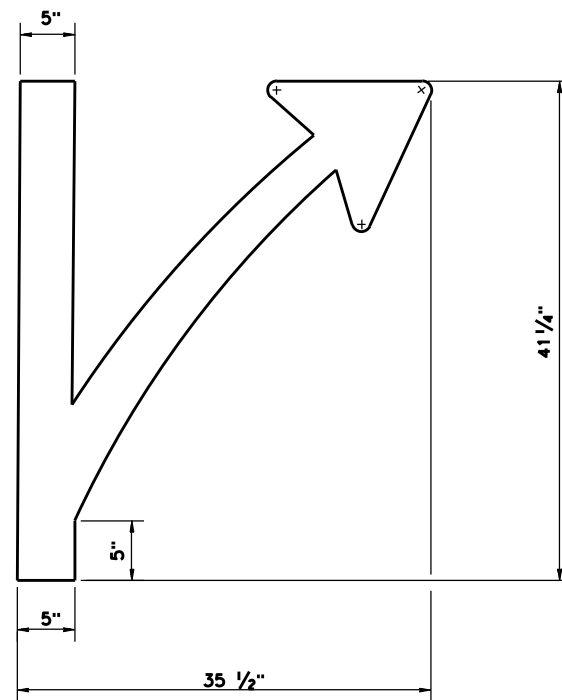
TYPE D



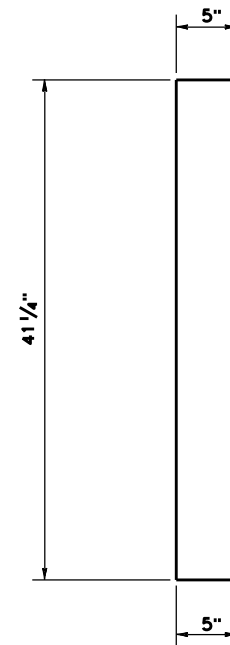
TYPE E



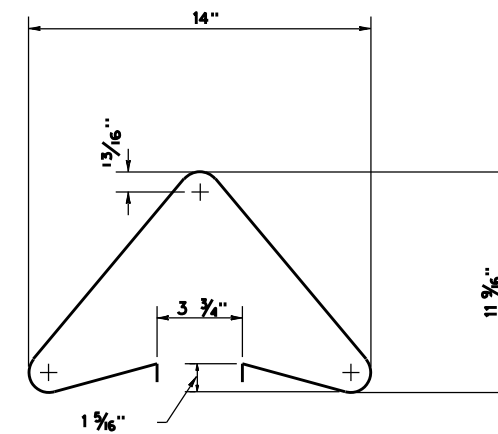
TYPE A-4



TYPE E-1



EXTENSION DETAIL



TYPICAL
ARROWHEAD DETAIL

For Department Material Specifications and General Notes see "TSR Series" Standard.



**ARROW DETAILS
(FOR DIAGRAMMATIC SIGNS)**

AD-24 (HOU)

FILE: AD-24 (HOU).dgn	DN: TXDOT	CK: TXDOT	DW: TXDOT	CK: TXDOT
© TXDOT December 2024	CONT	SECT	JOB	HIGHWAY
REVISIONS				
12-24	DIST	COUNTY	SHEET NO.	

DATE:
FILE: