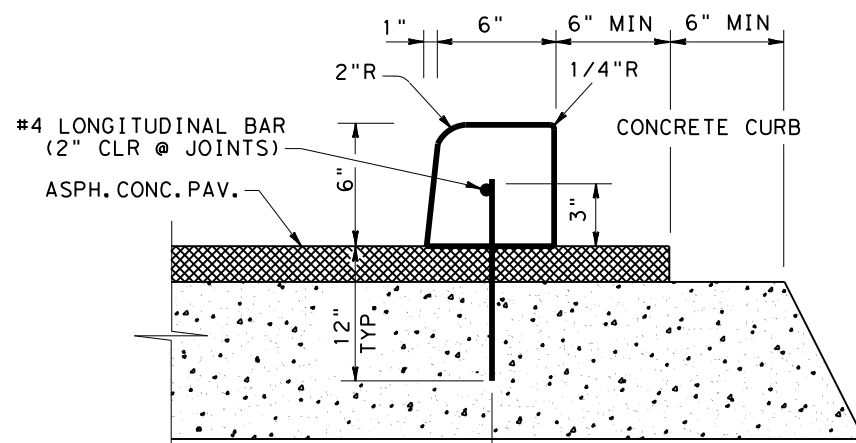


DISCLAIMER: The use of this standard is governed by the "Texas Engineering Practice Act". No warranty of any kind is made by TxDOT for any purpose whatsoever. TxDOT assumes no responsibility for the conversion of this standard to other formats or for incorrect results or damages resulting from its use.

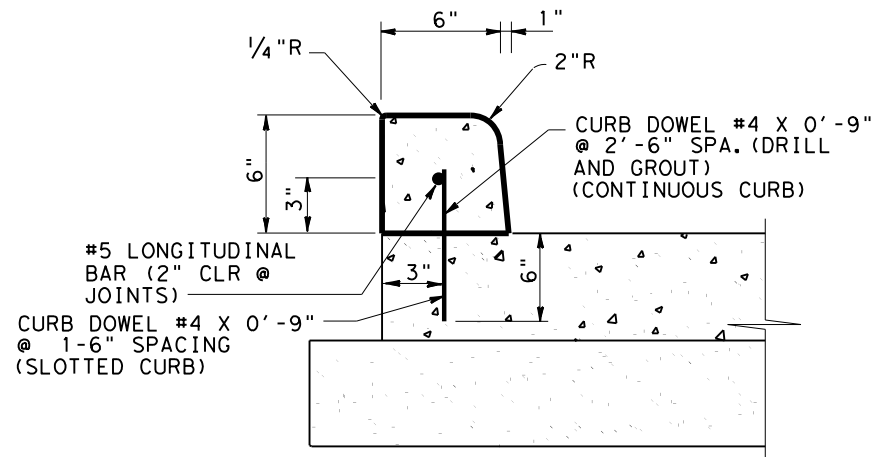
DATE:  
FILE:



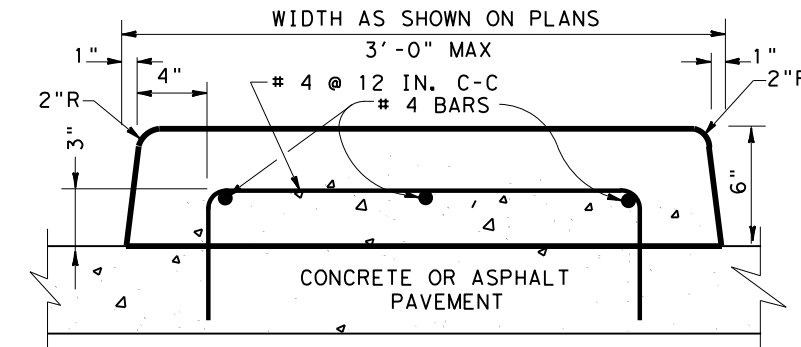
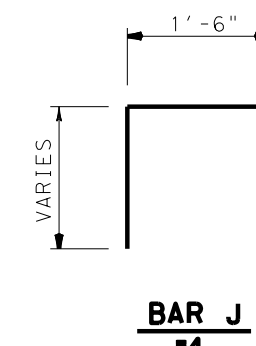
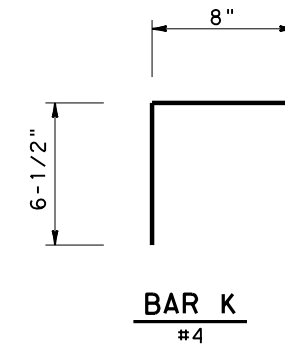
CONTINUOUS CURB; DOWEL #5 X 1'-3"  
@ 2'-6" SPA. (DRILL & GROUT)  
SLOTTED CURB; DOWEL #5 X 1'-3"  
@ 1'-6" SPA. (DRILL & GROUT)

**SHOWN ON EXISTING OR PROPOSED ACP PAVEMENT**  
(PAY ITEM 529-7014) - FOR CONTINUOUS

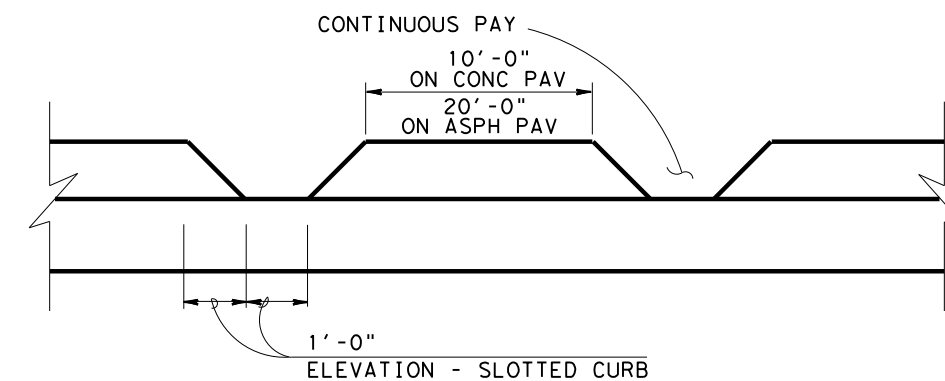
**CONCRETE CURB (DOWEL) (6 IN.)**



**SHOWN ON EXISTING OR PROPOSED CONCRETE PAVEMENT**  
(PAY ITEM 529-7014) - FOR CONTINUOUS



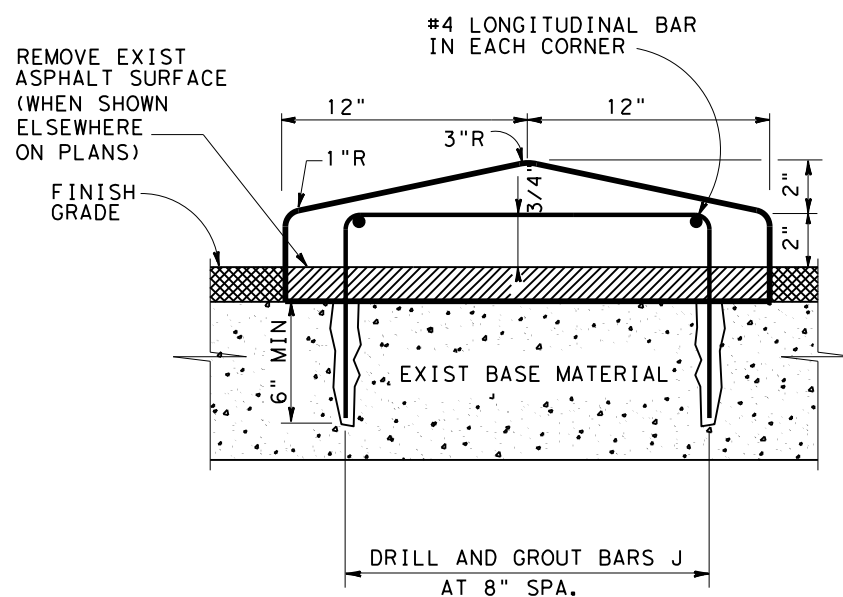
ITEM 536-7001 CONCRETE MEDIAN  
SEE NOTE 2



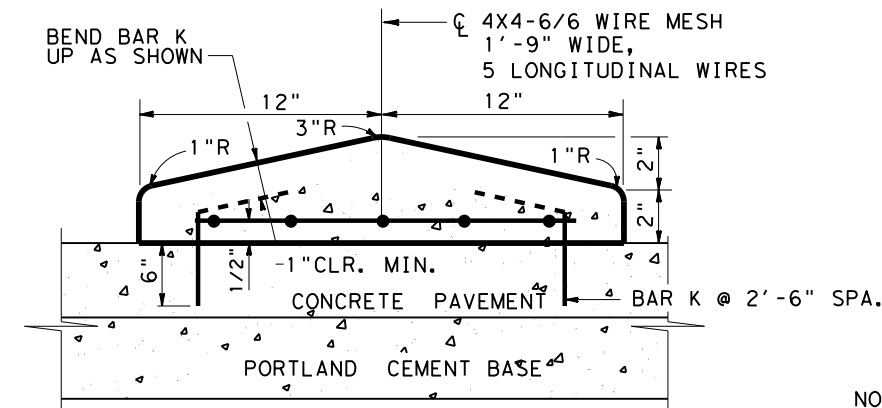
ITEM 529-7013 CONCRETE CURB (SLOTTED) - ON CONC.  
ITEM 529-7026 CONC CURB (DOWEL) (SLOTTED) - ON ASPH.

NOTES:

1. DRILL AND GROUT BARS SHOWN AS PER ITEM 420.4.7.10, 6" EMBEDMENT, MINIMUM ON CONC.
2. INSTALL A 2 INCH DRAINAGE OPENING AT 10 FT C-C WHEN CURB/ISLAND IS NOT ON TOP OF CROSS SECTION. (LOCATED ON A 2 OR 3 PERCENT TRANSVERSE GRADE, OR SUPERELEVATION.)



**SHOWN ON EXISTING ACP PAVEMENT**  
SEE NOTE 2 - ITEM 536-7003 CONC DIRECTIONAL ISLAND



**SHOWN ON EXISTING OR PROPOSED CONCRETE PAVEMENT**  
SEE NOTE 2 - ITEM 536-7003 CONC DIRECTIONAL ISLAND

**CONCRETE DIRECTIONAL ISLAND**



**CONCRETE CURB AND DIRECTIONAL ISLAND DETAILS**

**CC & DID-24 (HOU)**

FILE: CC & DID-24 (HOU).dgn	DN: TXDOT	CK: TXDOT	DW: TXDOT	CK: TXDOT
© TXDOT November 2024	CONT	SECT	JOB	HIGHWAY
REVISIONS				
11-24: 2024 Spec Updates	DIST	COUNTY	SHEET NO.	