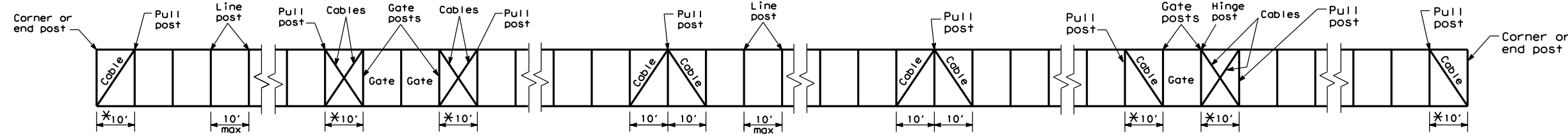
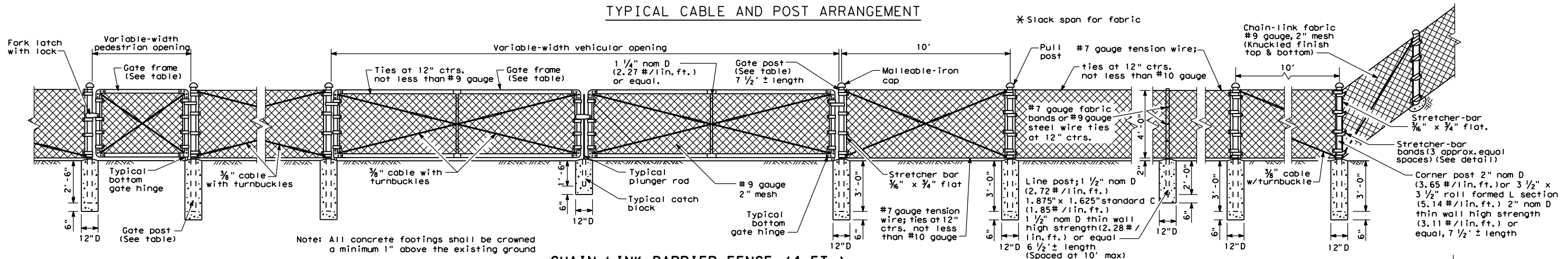


DISCLAIMER: This standard is governed by the "Texas Engineering Practice Act". No warranty of any kind is made by TxDOT for any purpose whatsoever. TxDOT assumes no responsibility for the conversion of this standard to other formats or for incorrect results or damages resulting from its use.



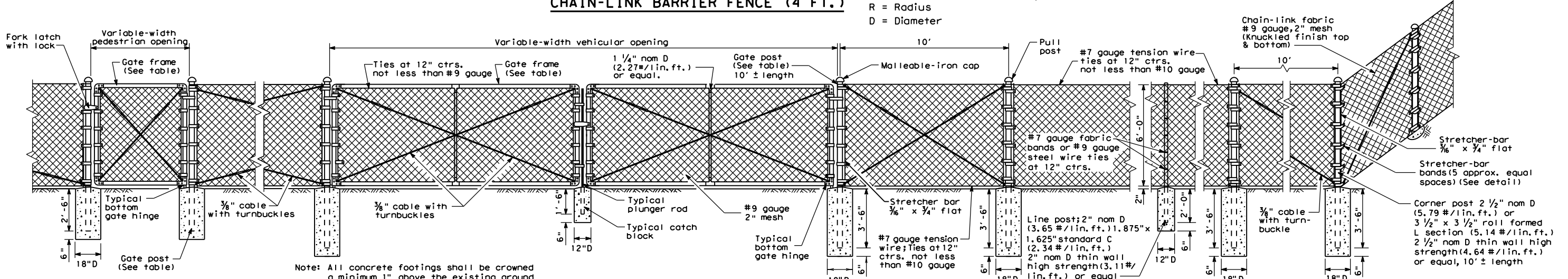
TYPICAL CABLE AND POST ARRANGEMENT

* Slack span for fabric



CHAIN-LINK BARRIER FENCE (4 FT.)

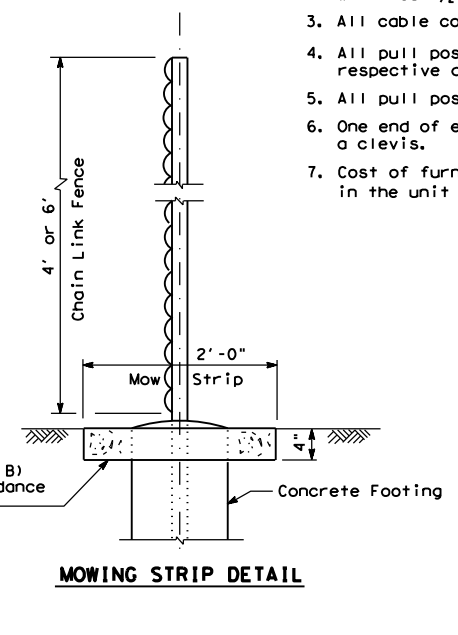
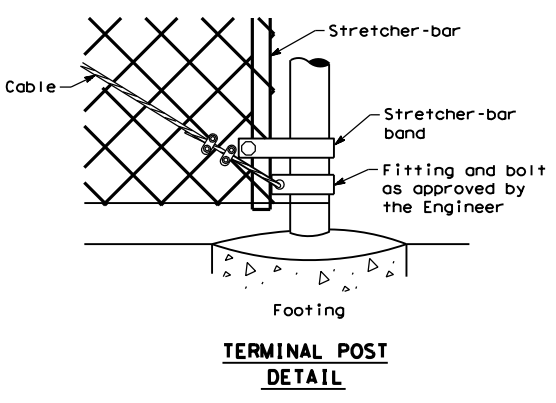
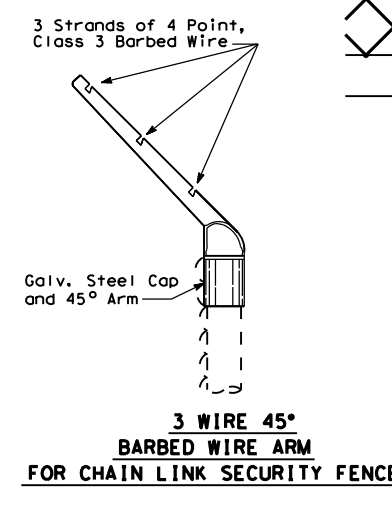
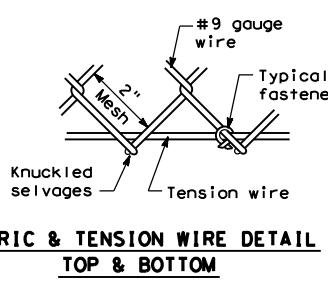
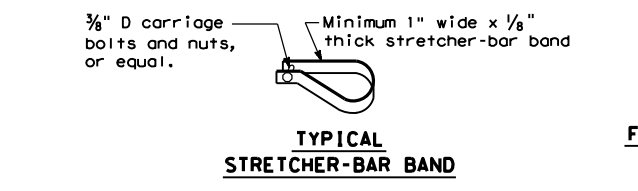
R = Radius
D = Diameter



CHAIN-LINK BARRIER FENCE (6 FT.)

TABLE OF MINIMUM SIZES & WEIGHTS

GATE OPENING TYPE		GATE FRAME		GATE POST	
Single Inclusive	Double Inclusive	SIZE	WT. /LIN. FT.	SIZE	WT. /LIN. FT.
Up to 6'	Up to 12'	1 1/2" nom D	2.72 LBS.	2 1/2" nom D or equal	5.79 LBS.
Over 6' to 12'	Over 12' to 26'	or equal	2.72 LBS.	3 1/2" nom D or equal	9.11 LBS.
Over 12' to 18'	Over 26' to 36'		2.72 LBS.	6" nom D	18.97 LBS.
Over 18'	Over 36'		2.72 LBS.	8" nom D	24.70 LBS.



- GENERAL NOTES**
1. Typical installation plan may vary as shown elsewhere on the plans or as directed by the Engineer. Location of gates shown elsewhere on plans.
 2. Gate-frame members shall be bolted, at frame corners, to joint fittings with four 1/2" bolts per joint.
 3. All cable connections are to be made with two 3/8" cable clamps.
 4. All pull posts and end posts and their foundations shall have the same respective dimensions as those shown for corner post.
 5. All pull post shall be furnished with two stretcher bars.
 6. One end of each turnbuckle may be attached directly to fittings with a clevis.
 7. Cost of furnishing and installing 45° Arm and Barbed Wire to be included in the unit price bid for "Chain Link Security Fence."

Texas Department of Transportation
Bridge Houston District Standard

CHAIN-LINK BARRIER FENCE (4 AND 6 FOOT HEIGHT)

CLF-25 (HOU)

FILE: CLF-25 (HOU), DGN	DN: TXDOT	CK: TXDOT	OW: TXDOT	CR: TXDOT
© TXDOT April 2025	CONT	SECT	JOB	HIGHWAY
REVISIONS				
03/2015: 2014 SPECS				
04/2025: 2024 Spec Updates				
DIST	COUNTY	SHEET NO.		

DATE: FILE: