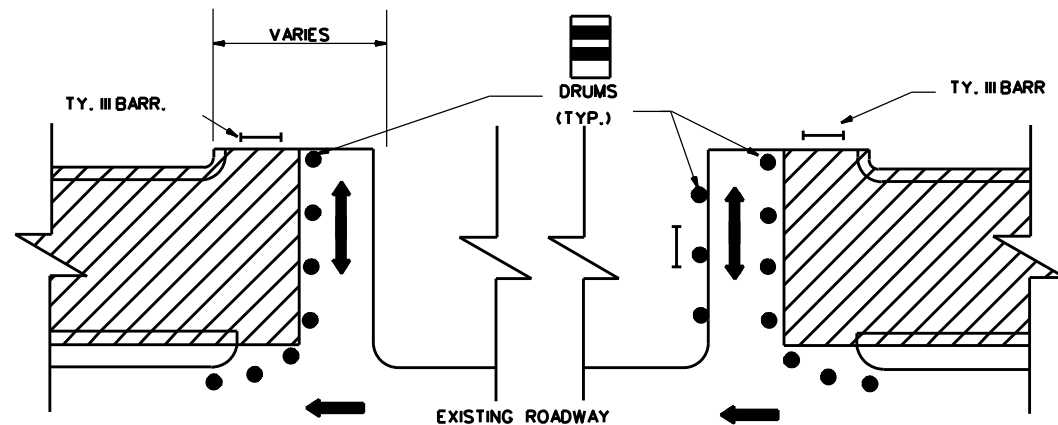
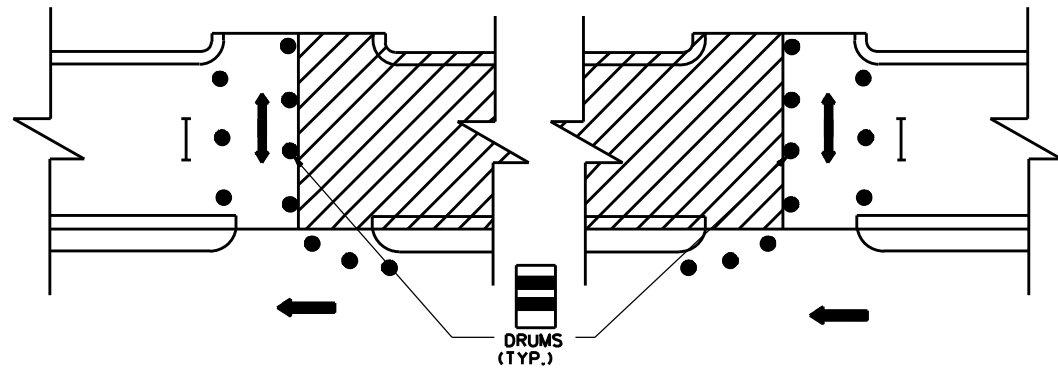


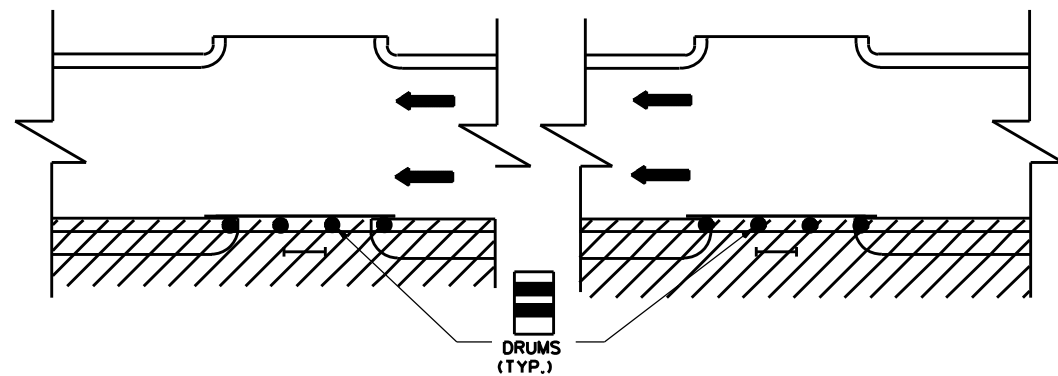
DISCLAIMER: The use of this standard is governed by the "Texas Engineering Practice Act". No warranty of any kind is made by TxDOT for any purpose whatsoever. TxDOT assumes no responsibility for the conversion of this standard to other formats or for incorrect results or damages resulting from its use.



- 1) WITH TRAFFIC ON EXISTING BUILD ONE-HALF OF DRIVE.
- 2) BUILD OTHER HALF OF DRIVE

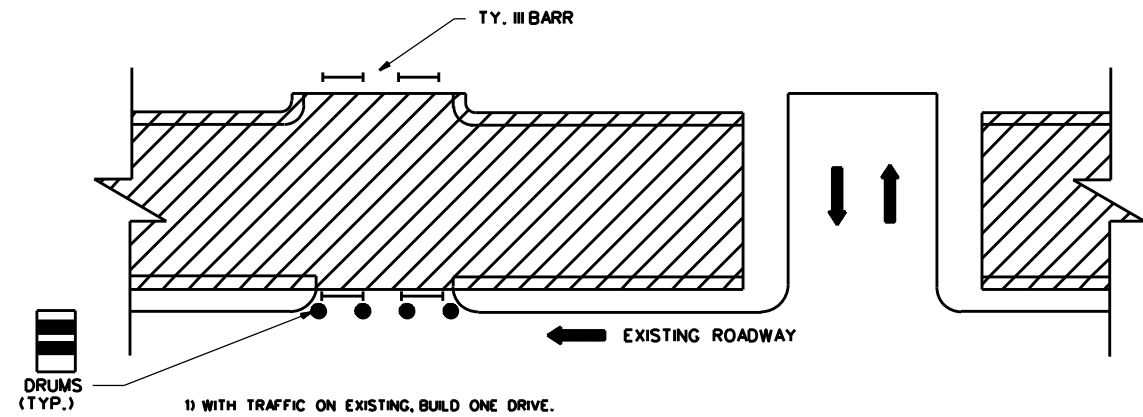


- 2) BUILD OTHER HALF OF DRIVE

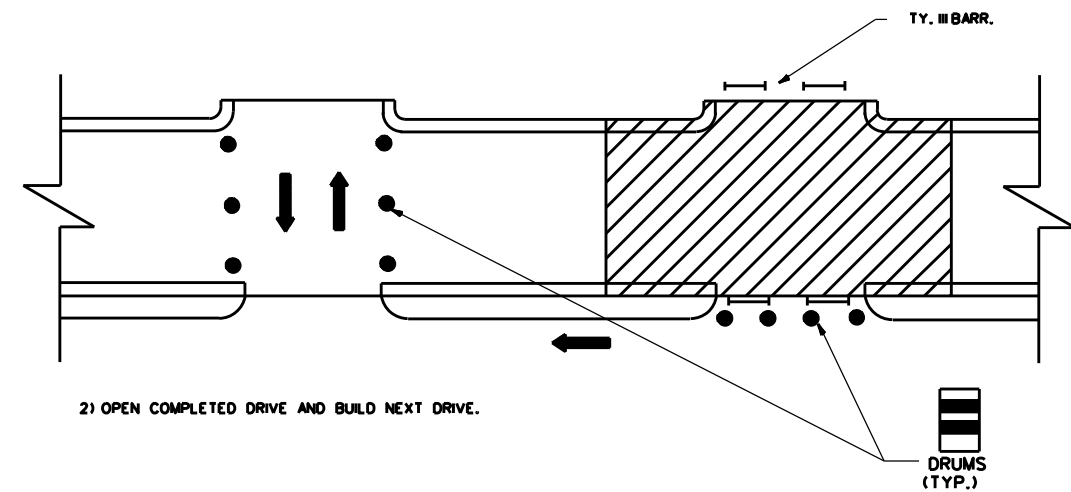


- 3) OPEN DRIVE
- 4) AFTER TRAFFIC MOVES TO NEW ROADWAY, BUILD REMAINING CURB.

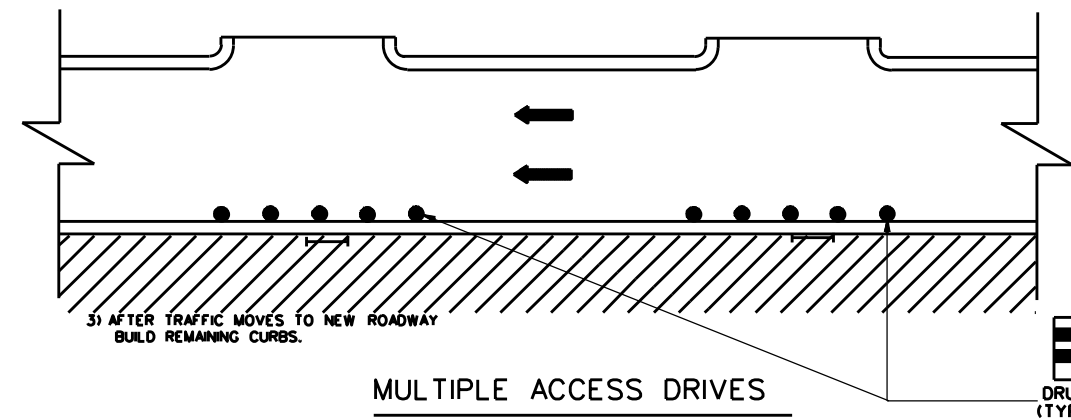
SINGLE ACCESS DRIVES



- 1) WITH TRAFFIC ON EXISTING, BUILD ONE DRIVE.



- 2) OPEN COMPLETED DRIVE AND BUILD NEXT DRIVE.



- 3) AFTER TRAFFIC MOVES TO NEW ROADWAY BUILD REMAINING CURBS.

MULTIPLE ACCESS DRIVES

CONSTRUCTION SEQUENCE FOR MISCELLANEOUS DRIVES

CSMD-25 (HOU)

FILE: CSMD-25 (HOU).dgn	DN: TXDOT	CK: TXDOT	DW: TXDOT	CK: TXDOT
© TXDOT February 2025	CONT	SECT	JOB	HIGHWAY
REVISIONS				
02-25: 2024 Spec Updates	DIST	COUNTY		SHEET NO.

DATE:
FILE: