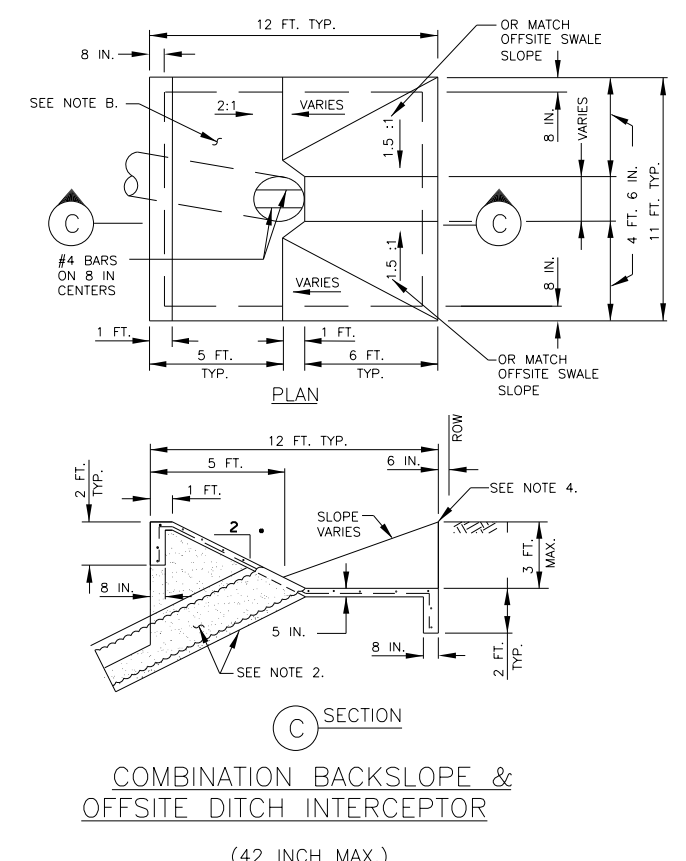
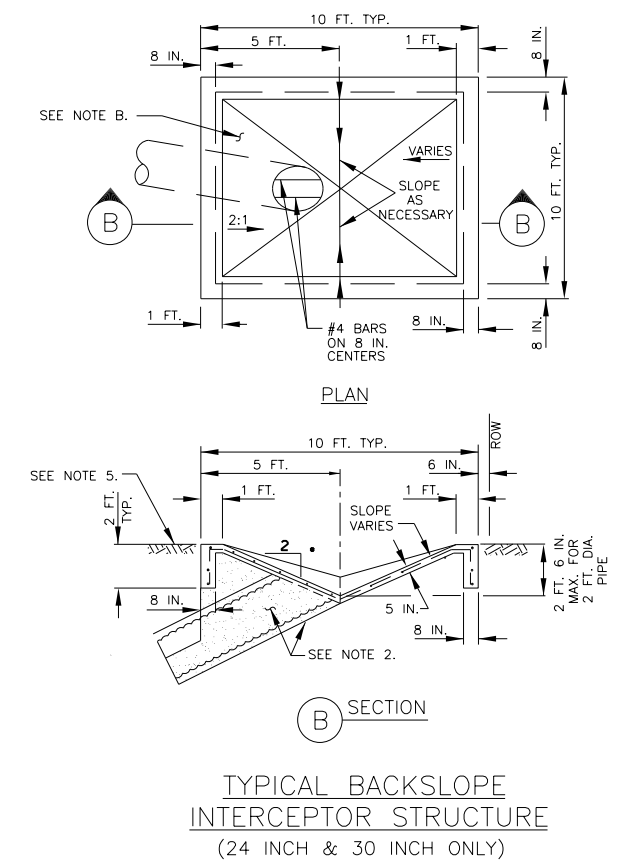
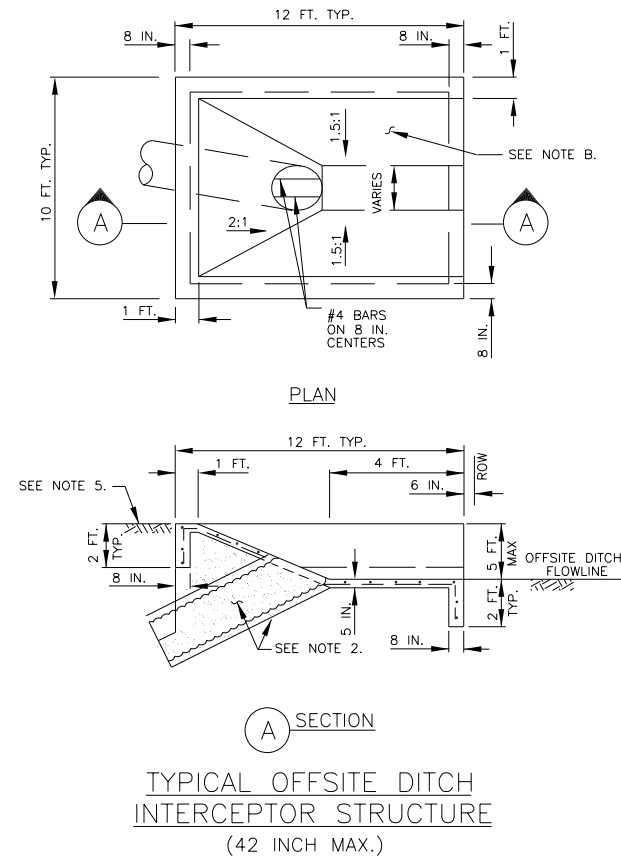


DISCLAIMER: The use of this standard is governed by the "Texas Engineering Practice Act". No warranty of any kind is made by TxDOT for any purpose whatsoever. TxDOT assumes no responsibility for the conversion of this standard to other formats or for incorrect results or damages resulting from its use.

DATE: FILE:

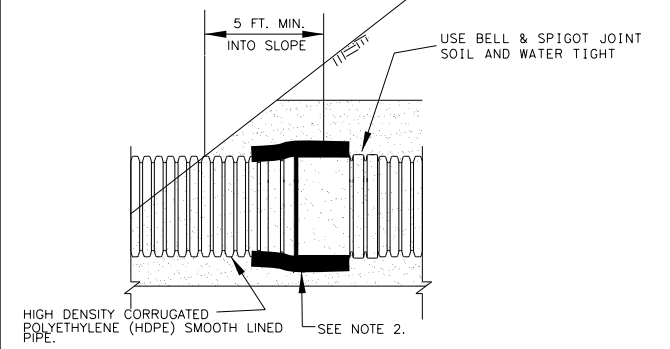


- GENERAL NOTES:**
- PLACE TYPE S HDPE INTERCEPTOR OUTFALL PIPES IN ACCORDANCE WITH ITEM 468, "THERMOPLASTIC PIPE CULVERT AND DRAINS." WITHIN HCFC D ROW, USE MINIMUM 24" DIA.
  - PROVIDE AND PLACE CEMENT STABILIZED BACKFILL AND STRUCTURAL EXCAVATION IN ACCORDANCE WITH ITEM 400, "EXCAVATION AND BACKFILL FOR STRUCTURES".
  - INSTALL STORM SEWER PLANT OUTFALLS, 48 INCHES DIAMETER OR LARGER WITH RIPRAP EROSION PROTECTION, DIMENSIONED AS SHOWN IN THE "TYPICAL STORM SEWER OUTFALL LAYOUT" DETAIL. EXCAVATE AND PLACE EMBANKMENT AND BACKFILL FOR STORM SEWER OUTFALLS IN ACCORDANCE WITH ITEM 400. "EXCAVATION AND BACKFILL FOR STRUCTURES."
  - PROVIDE AND PLACE CONCRETE IN ACCORDANCE WITH ITEM 420-7007 "CL A" CONCRETE (DITCH INTERCEPTOR STRUCTURE) (CY.)
  - INTERCEPTOR STRUCTURES:
    - ADJUST LENGTH AND WIDTH IN FIELD AS NECESSARY.
    - PROVIDE A 2 FT. DEEP X 8 IN. WIDE TOE WALL AROUND THE STRUCTURE.
    - STEEL REINFORCEMENT - #4 BARS (GRADE 40) AT 12 INCHES ON CENTER EACH WAY.
    - ANY INTERCEPTOR OUTFALL PIPE LARGER THAN MAXIMUM SIZE INDICATED REQUIRES A SEPARATE DETAIL.
    - MATCH TOP OF CONCRETE WITH NATURAL GROUND
  - SET THE FLOWLINE OF OUTFALL PIPES 1 FOOT ABOVE THE CHANNEL FLOWLINE OR 1 FOOT ABOVE THE NORMAL WATER LEVEL, WHICHEVER IS HIGHEST, UNLESS OTHERWISE SHOW IN PLANS.
  - BACKFILL ANY VOIDS BEYOND THE LIMITS OF THE CONCRETE INTERCEPTOR PAD WITH CEMENT STABILIZED BACKFILL PER ITEM 400.
  - INTERCEPTOR STRUCTURES SHOWN ARE FOR SIZES 42 INCH DIAMETER AND SMALLER. LARGER DIAMETER PIPE ARE DETAILED ELSEWHERE IN THE PLANS.
  - SEE CONCRETE CHANNEL LINING DETAIL SHEET FOR OUTFALL DETAILS THROUGH CONCRETE CHANNEL RIPRAP.
  - OUTFALL DETAILS SHOWN ARE SUITABLE ON SLOPES UP TO AND INCLUDING 4:1. FLATTER SLOPES WILL REQUIRE AN INDIVIDUALLY DESIGNED STRUCTURE.
  - FOR URBAN INTERCEPTOR STRUCTURES, IF APPLICABLE, SEE TxDOT STANDARDS FOR INLETS TYPES A, AD, AND AAD, AND RIPRAP DETAILS AROUND.

**A** THESE ARE GENERAL DETAILS AND NOTES. IF THERE ARE ANY DISCREPANCIES BETWEEN THIS STANDARD AND THE DETAILED SEALED DRAINAGE PLANS, THE SEALED PLANS WILL OVERRIDE. THE ONLY EXCEPTION IS NOTE AA ON THIS SHEET.

**B** DESIGNER TO CONSULT WITH DISTRICT ENVIRONMENTAL SECTION TO DETERMINE IF OUTFALL IS OR IS NOT JURISDICTIONAL. IF JURISDICTIONAL, REQUEST ORDINARY HIGH WATER ELEVATION AND CORP OF ENGINEER'S PERMIT FROM ENVIRONMENTAL SECTION FOR ANY WORK BELOW ORDINARY HIGH WATER ELEVATION.

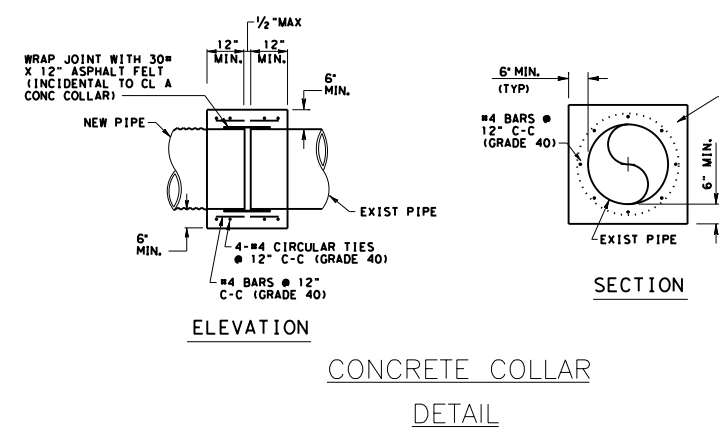
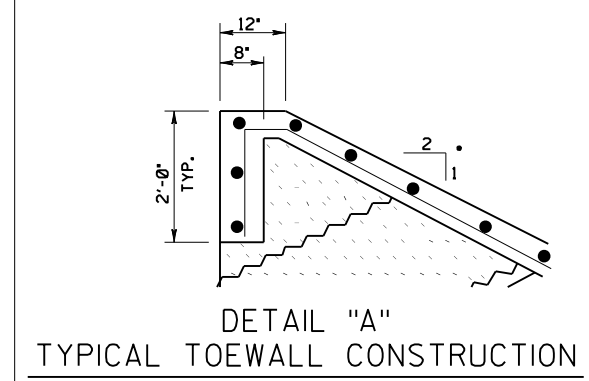
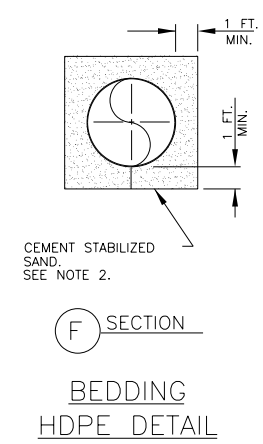
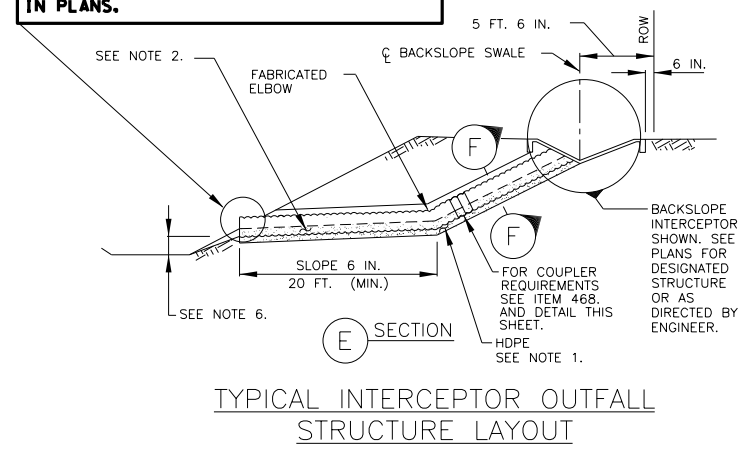
- ADDITIONAL NOTES FOR WORK IN HARRIS COUNTY FLOOD CONTROL DISTRICT (HCFC D) ROW:
- FOR STORM SEWER AND INTERCEPTOR OUTFALL PIPES WITHIN HCFC D ROW, USE TYPE S HDPE IN ACCORDANCE WITH ITEM 468.
  - INSTALL EPOXY "CLEAN WATER CLEAR CHOICE" LOGO BUTTON ON INTERCEPTORS. LOCATION TO BE DETERMINED BY THE ENGINEER. THESE BUTTONS ARE TO BE PROVIDED TO CONTRACTOR BY HCFC D.



BOTTOM WIDTH	PIPE OUTLET INVERT (FLOW LINE)
6 FEET ≤ BW ≤ 20 FT	1 FOOT ABOVE CHANNEL FLOWLINE
20 FEET ≤ BW ≤ 60 FT	AT TOE OF SLOPE
BW > 60 FT	AT TOE OF SLOPE

TABLE 1

**NOTE AA**  
THIS DETAIL OF CENTERLINE OF ANY PIPE END ALIGNING WITH CHANNEL SIDE SLOPE IS OF UTMOST IMPORTANCE. THIS DETAIL SHALL SUPERSEDE ANY OTHER DETAILS/PIPE LENGTHS SHOWN ELSEWHERE IN PLANS.



**Texas Department of Transportation**

**Houston District Standard**

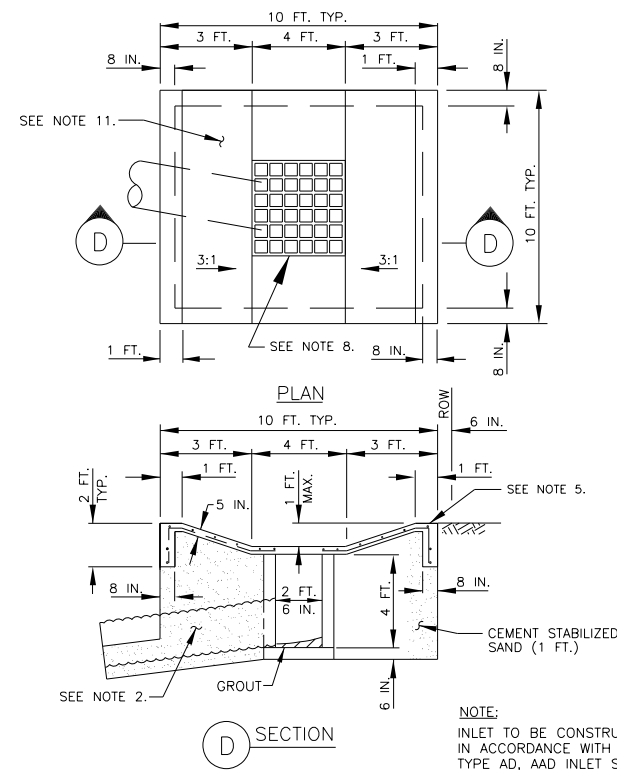
**HCFC D INTERCEPTOR STRUCTURE DETAILS**

**HCFC D- ISD-25 (HOU)**

FILE: HCFC D- ISD-25 (HOU).dgn	DN: TxDOT	CK: TxDOT	DW: TxDOT	CR: TxDOT
©TxDOT February 2025	CONT	SECT	JOB	HIGHWAY
REVISIONS				
02-25: 2024 Spec Updates	DIST	COUNTY		SHEET NO.

DISCLAIMER: The use of this standard is governed by the "Texas Engineering Practice Act". No warranty of any kind is made by TxDOT for any purpose whatsoever. TxDOT assumes no responsibility for the conversion of this standard to other formats or for incorrect results or damages resulting from its use.

DATE:  
FILE:



NOTE:  
INLET TO BE CONSTRUCTED  
IN ACCORDANCE WITH HOUSTON DISTRICT  
TYPE AD, AAD INLET STANDARD

URBAN BACKSLOPE  
INTERCEPTOR STRUCTURE



HCFC D  
INTERCEPTOR  
STRUCTURE DETAILS

HCFC D- ISD- 25 (HOU)

FILE: HCFC D- ISD- 25 (HOU).dgn	DN: TxDOT	CK: TxDOT	DW: TxDOT	CR: TxDOT
© TxDOT February 2025	CONT	SECT	JOB	HIGHWAY
REVISIONS				
02-25: 2024 Spec Updates	DIST	COUNTY	SHEET NO.	