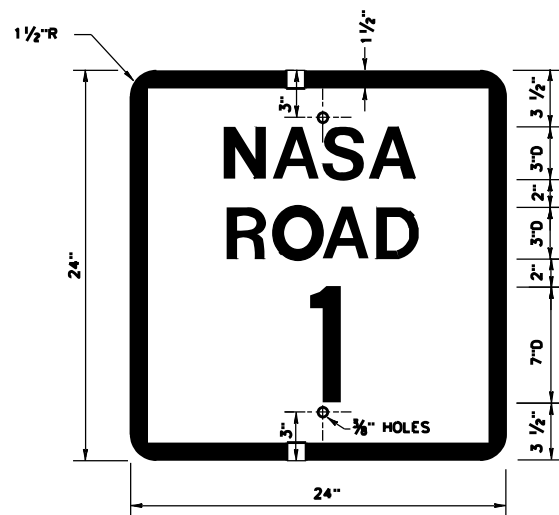


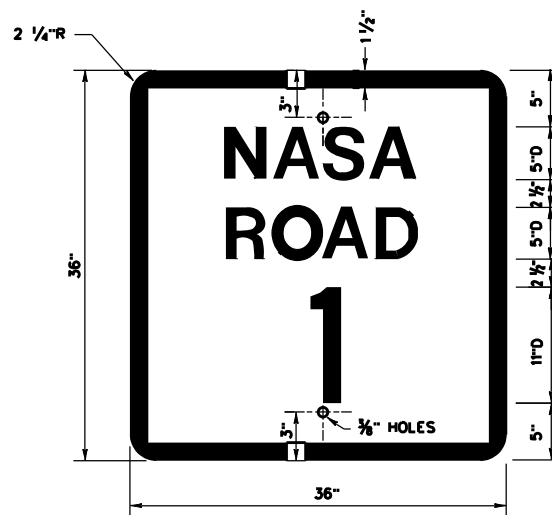
DISCLAIMER: The use of this standard is governed by the "Texas Engineering Practice Act". No warranty of any kind is made by TxDOT for any purpose whatsoever. TxDOT assumes no responsibility for the conversion of this standard to other formats or for incorrect results or damages resulting from its use.

FOR INDEPENDENT MOUNTING



M1-6N  
24"X24"

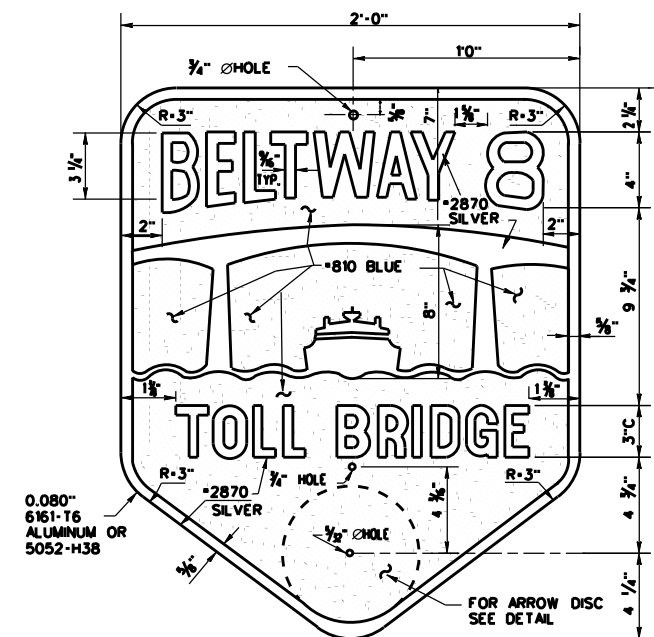
LETTERS - BLACK  
NUMERALS - BLACK  
BORDER - BLACK  
BACKGROUND - WHITE REFLECTIVE



M1-6N  
36"X36"

LETTERS - BLACK  
NUMERALS - BLACK  
BORDER - BLACK  
BACKGROUND - WHITE REFLECTIVE

FOR INDEPENDENT MOUNTING

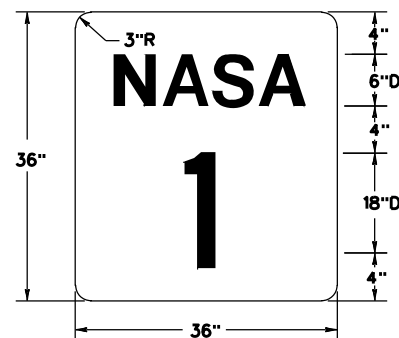


NOTES:

- "BELTWAY 8" LETTER STROKE TO BE 3/16". LETTER HEIGHT SHALL BE VARIABLE AS SHOWN. LETTER TO BE EQUALLY SPACED AS SHOWN.
- TRAIL BLAZER SHALL BE FULLY REFLECTORIZED. ALL BOLTS, RIVETS, SCREWHEADS AND WASHERS THAT ARE EXPOSED ON SIGN TEXT SIDE OF SIGN SHALL BE PAINTED TO MATCH THE COLOR AROUND THE HEAD.
- \*2870 SILVER SHALL BE HISHETING. \*810 BLUE AND \*812 TRAFFIC SIGN RED SHALL BE TRANSPARENT COLOR.

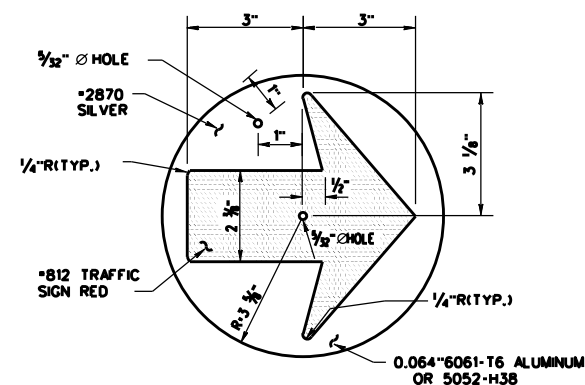
TRAIL BLAZER  
FOR HOUSTON SHIP CHANNEL TOLL BRIDGE  
M1-6BTB

FOR ATTACHMENT TO GUIDE SIGNS



M1-6N(1)  
36"X36"

LETTERS - BLACK  
NUMERALS - BLACK  
BACKGROUND - WHITE REFLECTIVE



ARROW DISC DETAIL

NOTE:  
ARROW DISC DIRECTION SHALL BE DIRECTED AS REQUIRED IN THE FIELD.

For Department Material Specifications and General Notes see "TSR Series" Standard.



MISCELLANEOUS ROUTE MARKERS

M(MISC)-24 (HOU)

FILE: M(MISC)-24 (HOU).dgn	DN: TXDOT	CK: TXDOT	DW: TXDOT	CK: TXDOT
© TXDOT December 2024	CONT	SECT	JOB	HIGHWAY
REVISIONS				
12-24	DIST	COUNTY	SHEET NO.	

DATE:  
FILE: