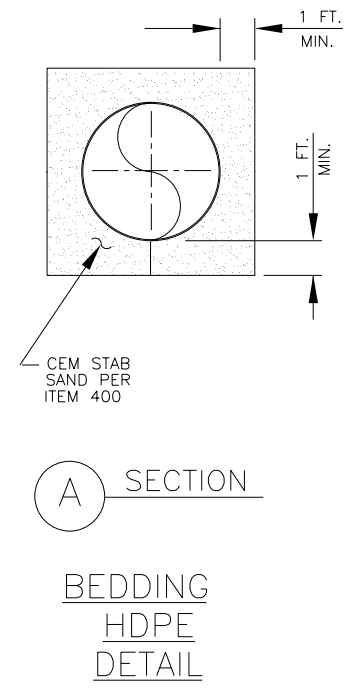
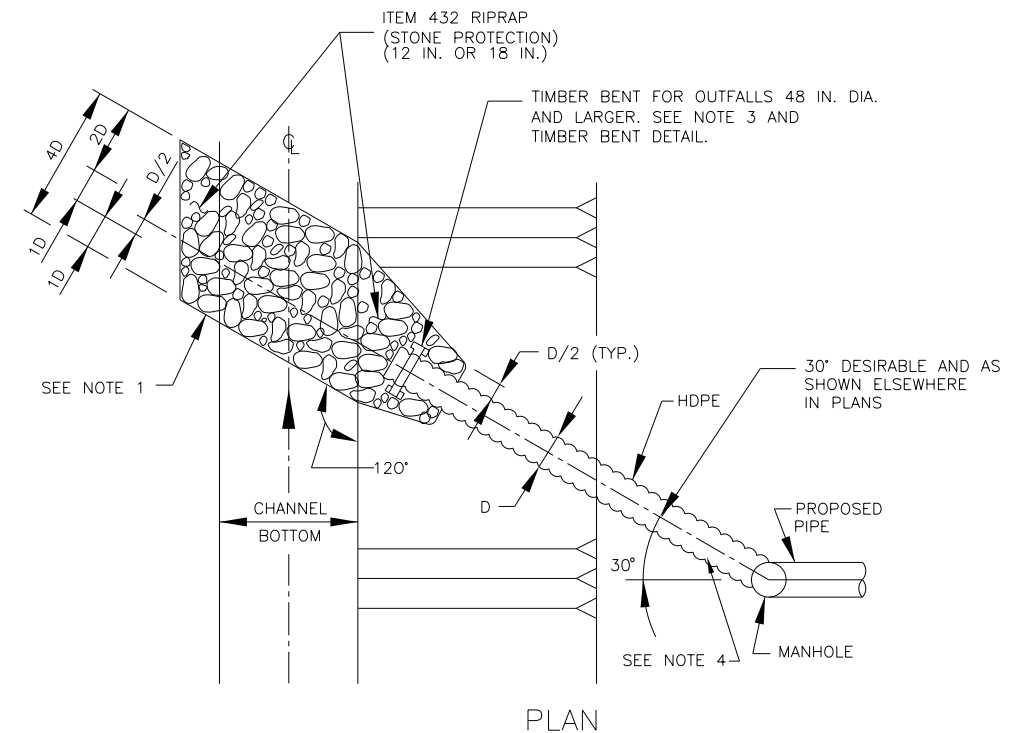
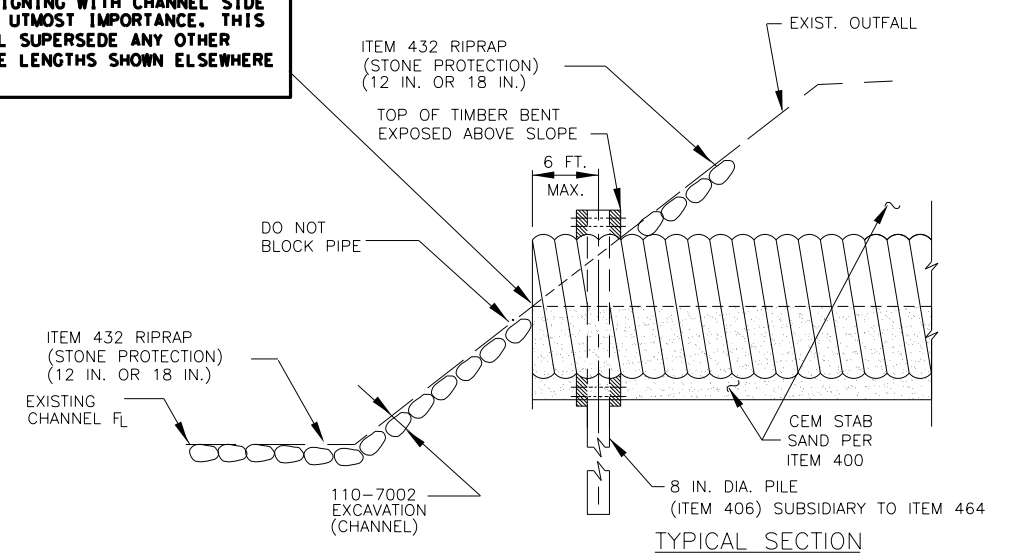
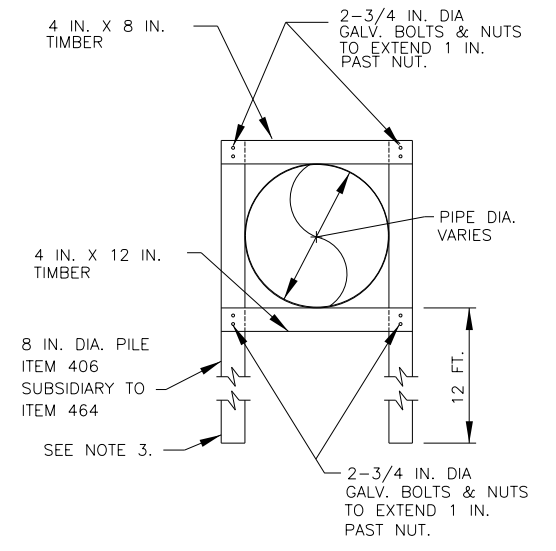


DISCLAIMER: The use of this standard is governed by the "Texas Engineering Practice Act". No warranty of any kind is made by TxDOT for any purpose whatsoever. TxDOT assumes no responsibility for the conversion of this standard to other formats or for incorrect results or damages resulting from its use.

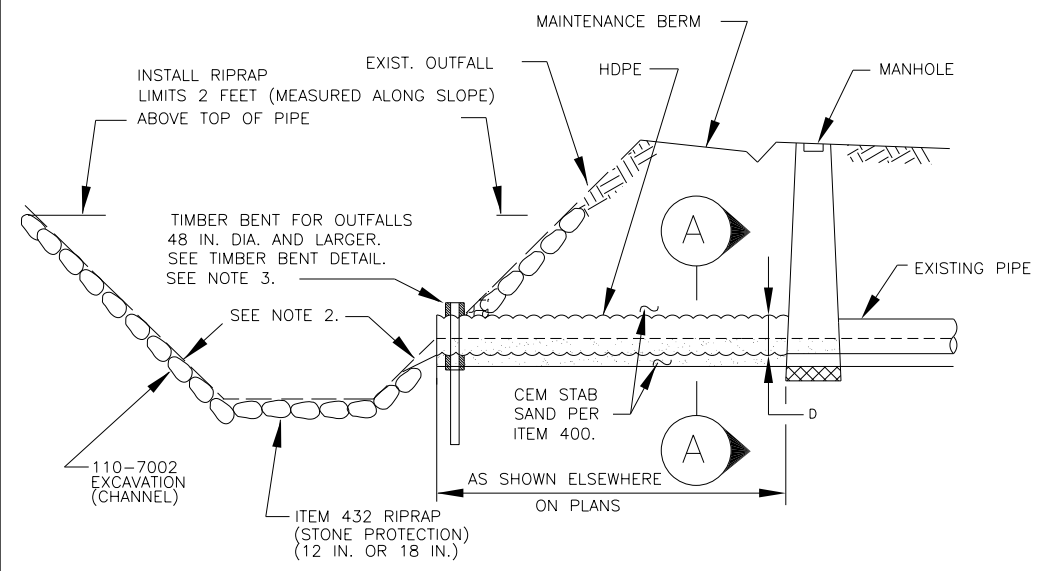
DATE:
FILE:



NOTE AA
THIS DETAIL OF CENTERLINE OF ANY PIPE END ALIGNING WITH CHANNEL SIDE SLOPE IS OF UTMOST IMPORTANCE. THIS DETAIL SHALL SUPERSEDE ANY OTHER DETAILS/PIPE LENGTHS SHOWN ELSEWHERE IN PLANS.



TIMBER BENT DETAIL
REQUIRED ONLY FOR 48-INCH HDPE AND LARGER OUTFALLS



SECTION
TYPICAL STORM SEWER OUTFALL
STRUCTURE LAYOUT

STORM SEWER OUTFALL NOTES

1. INSTALL OUTFALLS 48 INCHES OR LARGER, AND STORM SEWER OUTFALLS OF ANY DIAMETER, WITH RIPRAP EROSION DIMENSIONED AS SHOWN IN "TYPICAL STORM SEWER OUTFALL STRUCTURE LAYOUT."
2. SET FLOWLINE OF OUTFALLS AT ELEVATION SPECIFIED ELSEWHERE IN PLANS (TYPICALLY 1 FOOT ABOVE CHANNEL FLOWLINE OR 1 FOOT ABOVE NORMAL WATER SURFACE ELEVATION, WHICHEVER IS HIGHEST)
3. PROVIDE TIMBER BENT PER ITEM 490, "TIMBER STRUCTURES," NO DIRECT PAY.
4. FOR STORM SEWER AND INTERCEPTOR OUTFALL PIPES WITHIN HCFCD ROW, USE TYPE S HDPE IN ACCORDANCE WITH ITEM 468.

(A) THESE ARE GENERAL DETAILS AND NOTES. IF THERE ARE ANY DISCREPANCIES BETWEEN THIS STANDARD AND THE DETAILED SEALED DRAINAGE PLANS, THE SEALED PLANS WILL OVERRIDE. THE ONLY EXCEPTION IS NOTE AA ABOVE.

(B) DESIGNER TO CONSULT WITH DISTRICT ENVIRONMENTAL SECTION TO DETERMINE IF OUTFALL IS OR IS NOT JURISDICTIONAL. IF JURISDICTIONAL REQUEST ORDINARY HIGH WATER MARK AND CORPS OF ENGINEERS PERMIT FROM ENVIRONMENTAL SECTION FOR ANY WORK BELOW ORDINARY HIGH WATER MARK.

		Houston District Standard	
<h3>OUTFALL DETAILS</h3>			
<p>(BRAZORIA, FORT BEND, GALVESTON, MONTGOMERY AND WALLER COUNTIES)</p> <h2>OD-25 (HOU)</h2>			
FILE: OD-25 (HOU).dgn	DN: TXDOT	CK: TXDOT	DW: TXDOT
© TXDOT February 2025	CONT	SECT	JOB
REVISIONS			
02-25: 2024 Spec Updates	DIST	COUNTY	SHEET NO.