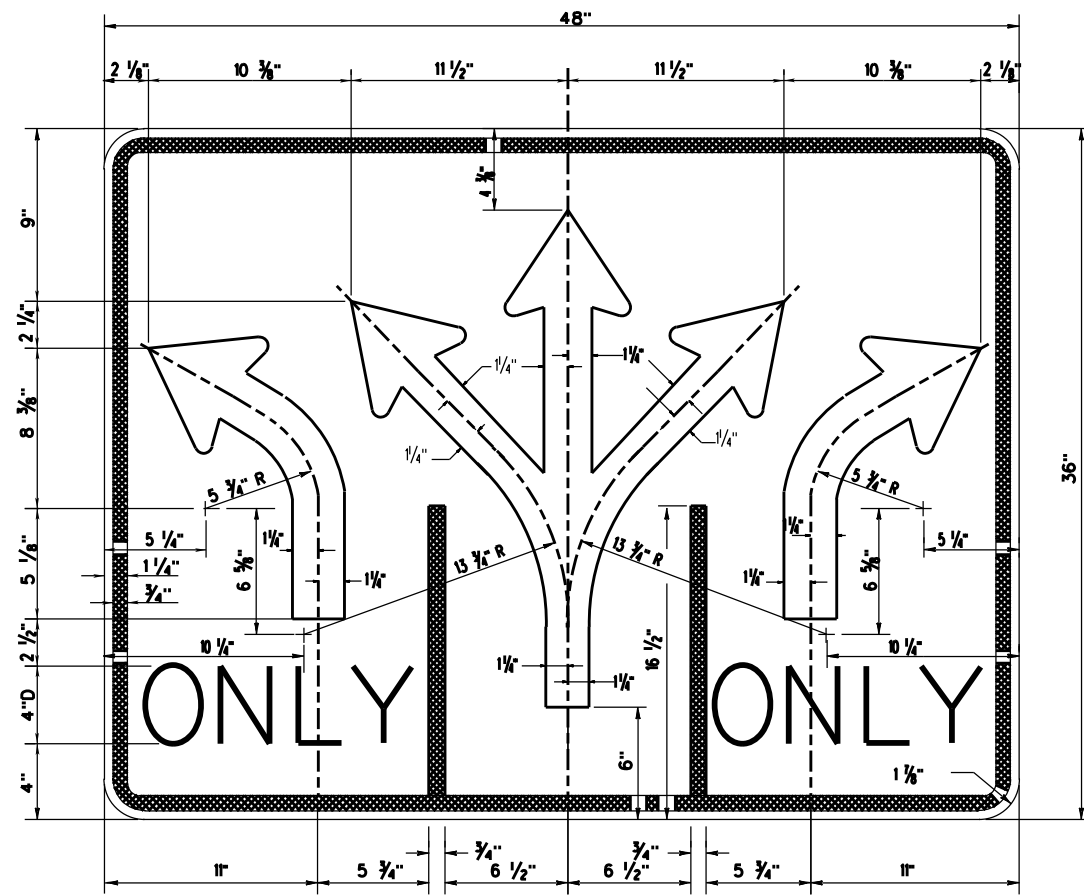
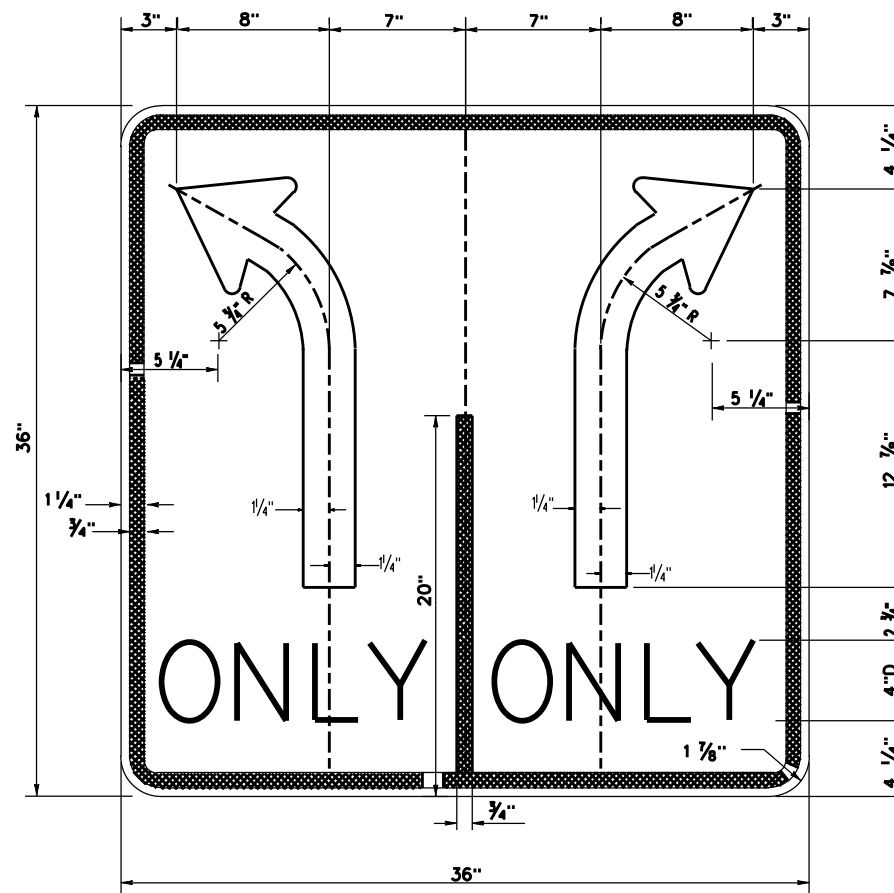


DISCLAIMER: The use of this standard is governed by the "Texas Engineering Practice Act". No warranty of any kind is made by TxDOT for any purpose whatsoever. TxDOT assumes no responsibility for the conversion of this standard to other formats or for incorrect results or damages resulting from its use.

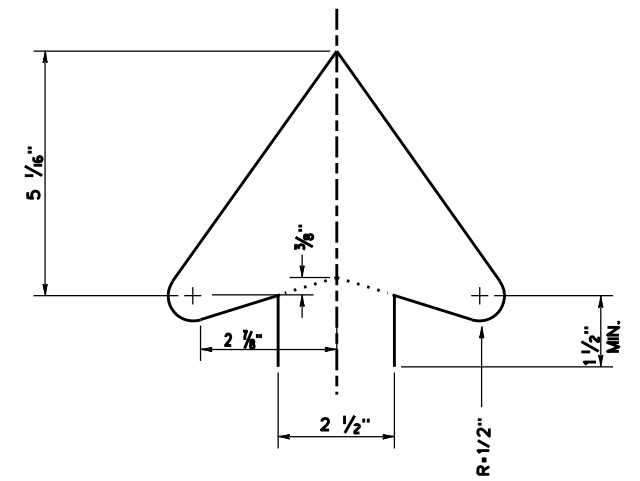
DATE:
FILE:



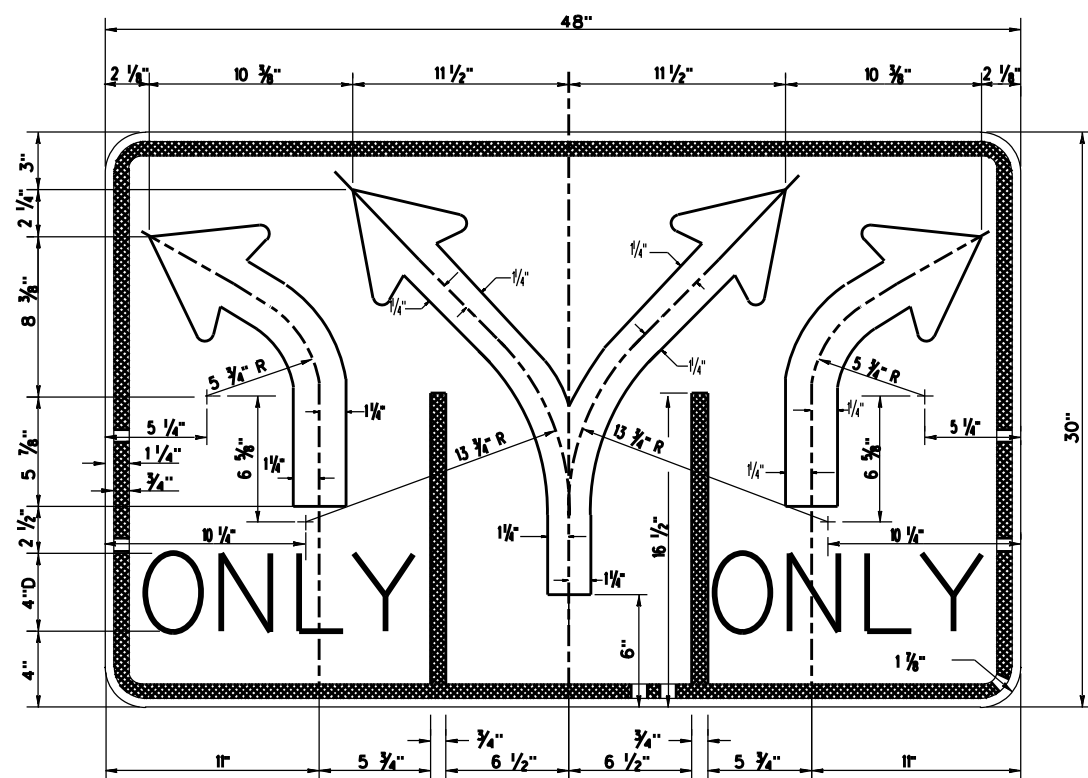
R3-8B



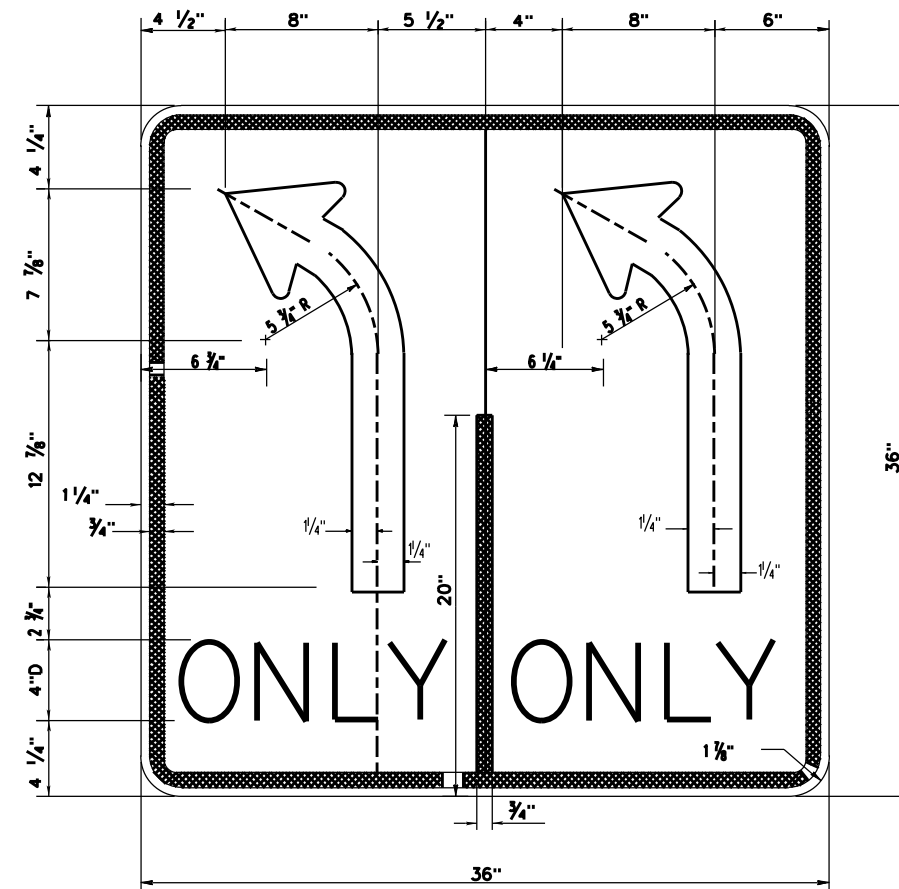
R3-8DT



TYPICAL
ARROWHEAD DETAIL



R3-8LR



R3-8LT

		Houston District Standard	
REGULATORY SIGNS (LANE USE CONTROL)			
R(LUC-1)-24 (HOU)			
FILE: R(LUC-1)-24 (HOU).dgn	DN: TXDOT	CK: TXDOT	DW: TXDOT
© TXDOT December 2024	CONT	SECT	JOB
REVISIONS		HIGHWAY	
12-24	DIST	COUNTY	SHEET NO.