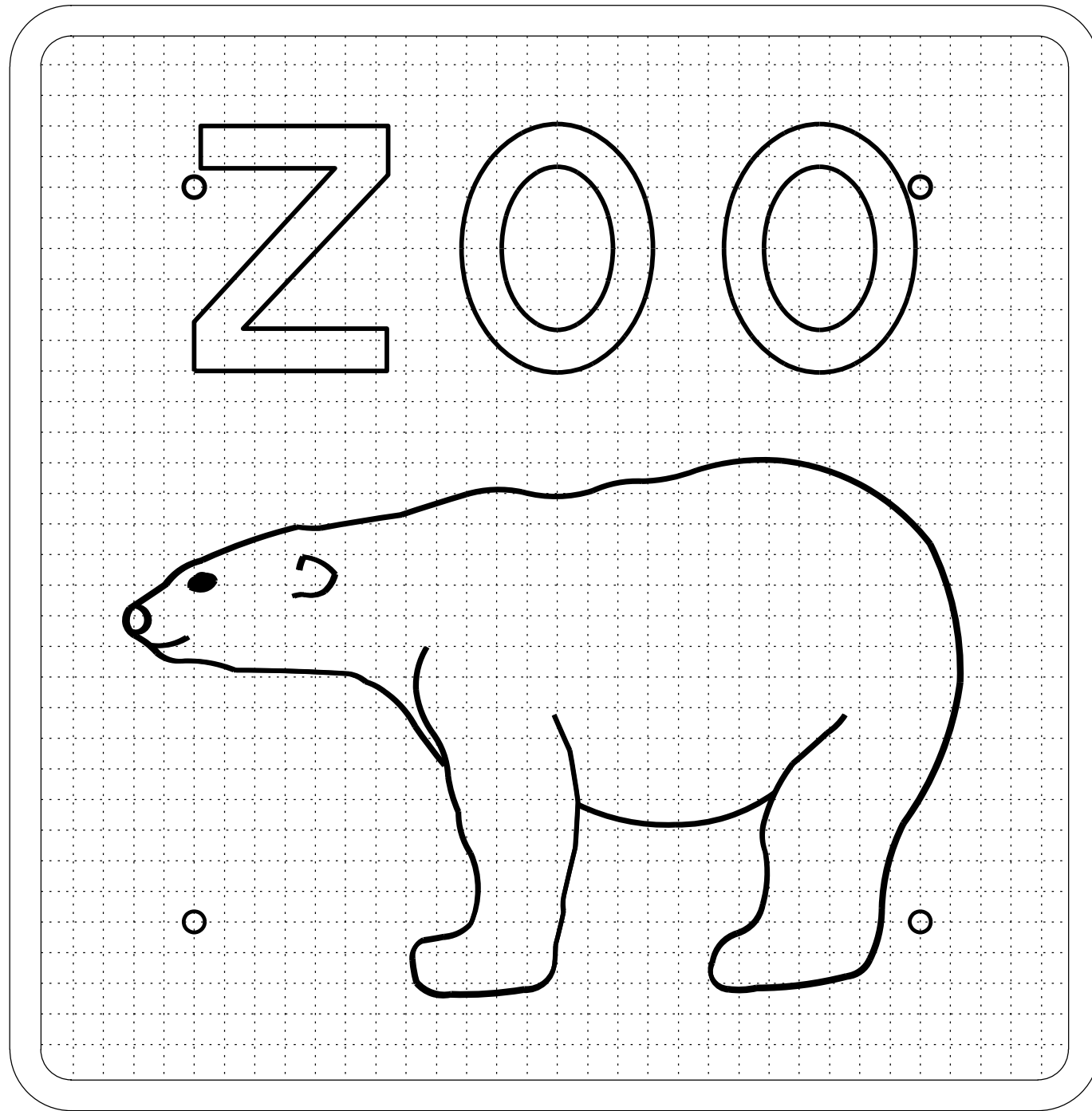
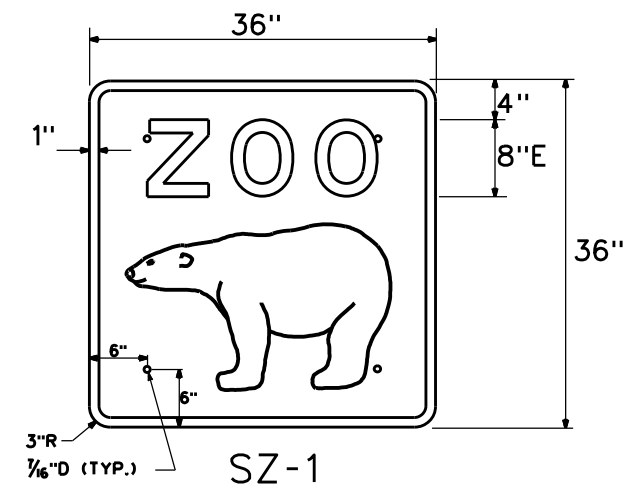
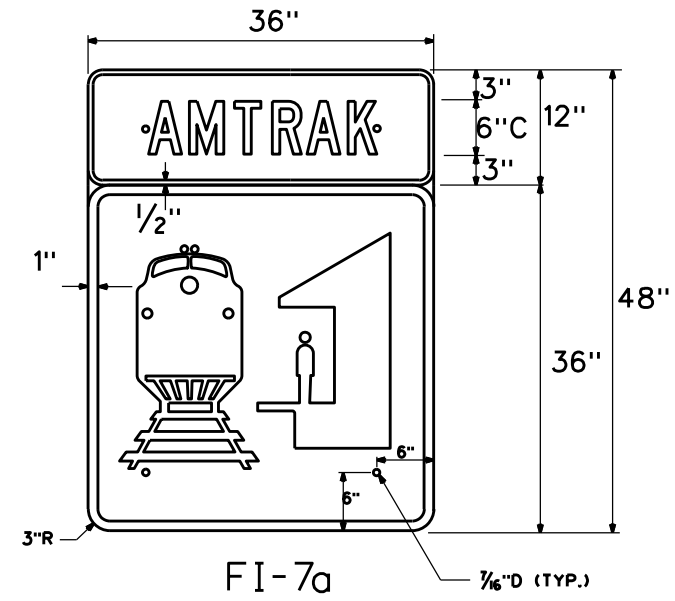


DISCLAIMER: The use of this standard is governed by the "Texas Engineering Practice Act". No warranty of any kind is made by TxDOT for any purpose whatsoever. TxDOT assumes no responsibility for the conversion of this standard to other formats or for incorrect results or damages resulting from its use.



SZ-1\*



BACKGROUND : BLUE  
LETTERS & ANIMAL : WHITE  
OUTLINE OF ANIMAL: BLACK (1/4" WIDE)  
BORDER : WHITE

NOTES:  
1. For Signing Specifications see the applicable Typical Sign Requirements (TSR) Standards.

		Houston District Standard	
<b>ROUTING SIGN DETAILS (FOR ATTACHMENT ON OVERHEAD AND LARGE GROUND MOUNTED SIGNS)</b>			
<b>RSD(1)-24 (HOU)</b>			
FILE: RSD(1)-24 (HOU).dgn	DN: TXDOT	CK: TXDOT	DW: TXDOT
© TXDOT December 2024	CONT	SECT	JOB
REVISIONS			
12-24	DIST	COUNTY	SHEET NO.

SCALE: SQUARE (1) = 1" X 1"

DATE:  
FILE: