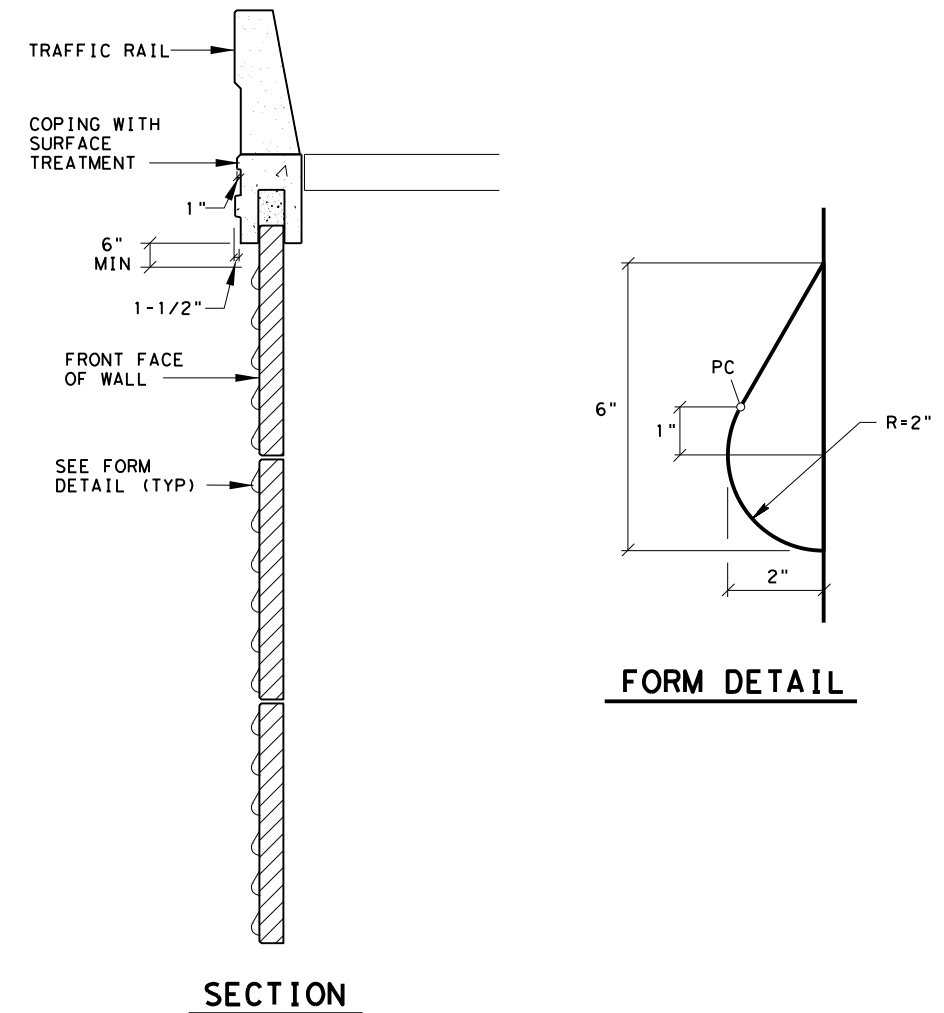
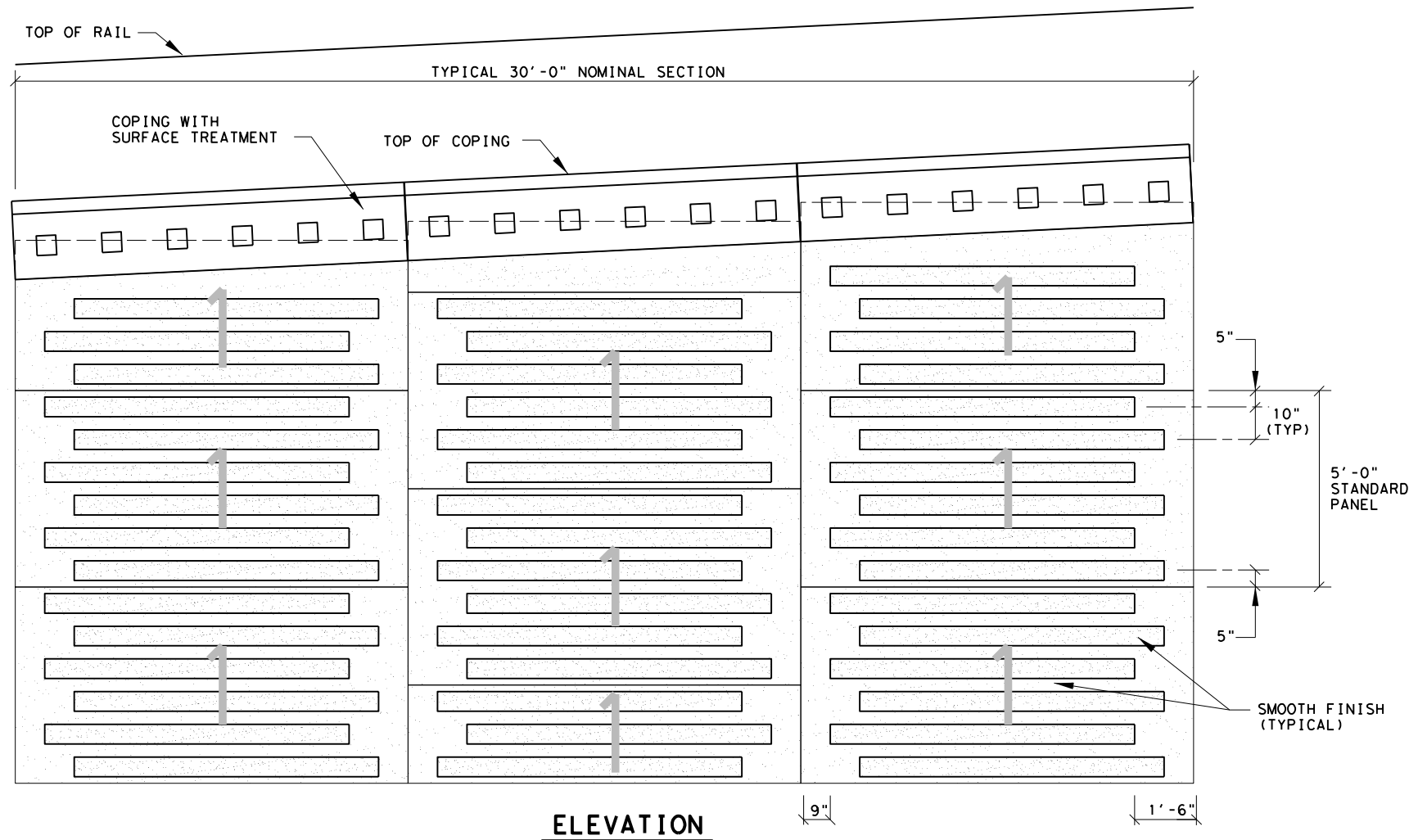
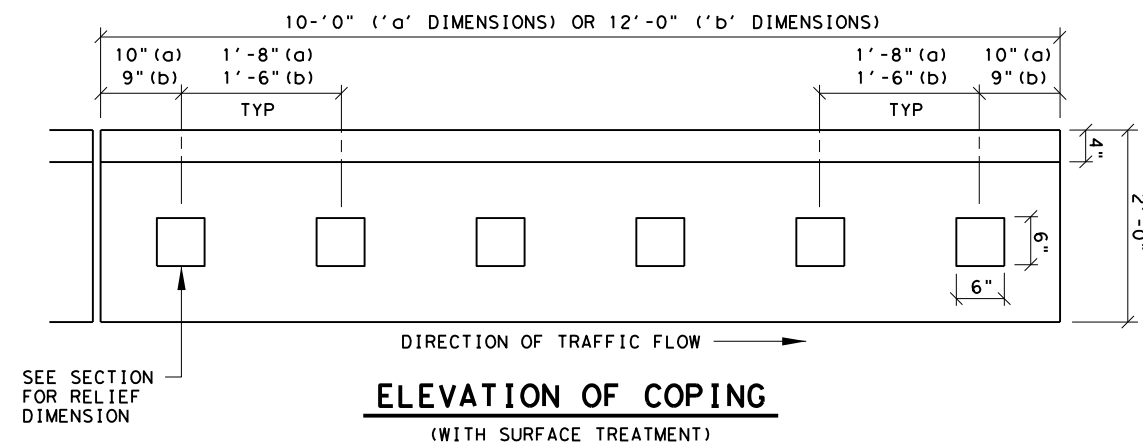
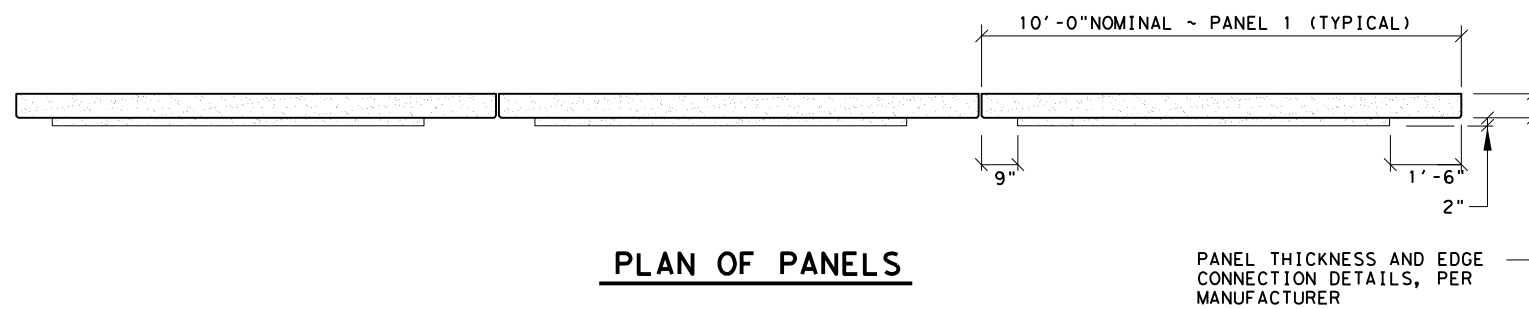


DISCLAIMER: This standard is governed by the "Texas Engineering Practice Act". No warranty of any kind is made by TxDOT for any purpose whatsoever. TxDOT assumes no responsibility for the conversion of this standard to other formats or for incorrect results or damages resulting from its use.



**NOTE:**

1. DETAILS FOR CONSTRUCTION OF RETAINING WALLS ARE SHOWN IN THE STANDARD DRAWING "MECHANICALLY STABILIZED EARTH RETAINING WALL".
2. HORIZONTAL SCHEME FINISHES ARE CONSIDERED INCIDENTAL TO ITEM 423 "RETAINING WALL".
3. ITEM 427 "SURFACE FINISHES FOR CONCRETE" ARE CONSIDERED INCIDENTAL TO ITEM 423 "RETAINING WALL". SEE SHEET TITLED "SURFACE FINISHES FOR CONCRETE".
4. FORM LINER USED TO SHALL BE OF ONE PIECE CONSTRUCTION. JOINTS SHALL NOT BE PERMITTED IN FORM LINERS.
5. THE CONTRACTOR SHALL PROVIDE THE ENGINEER AND DISTRICT LANDSCAPE ARCHITECT WITH A SAMPLE OF FORM LINER FOR APPROVAL PRIOR TO MANUFACTURING RETAINING WALL PANELS.



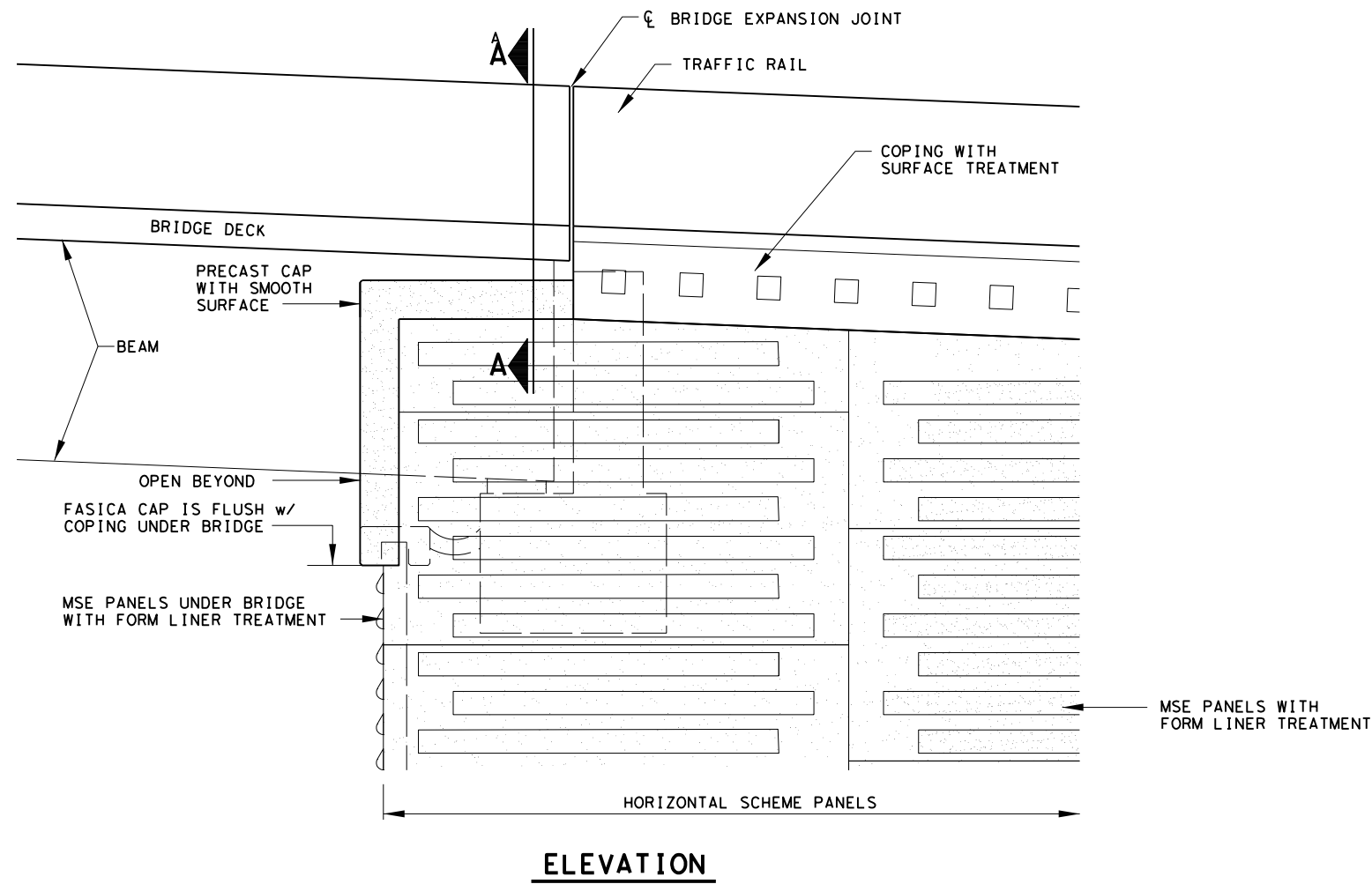
NOT TO SCALE

SHEET 1 OF 3

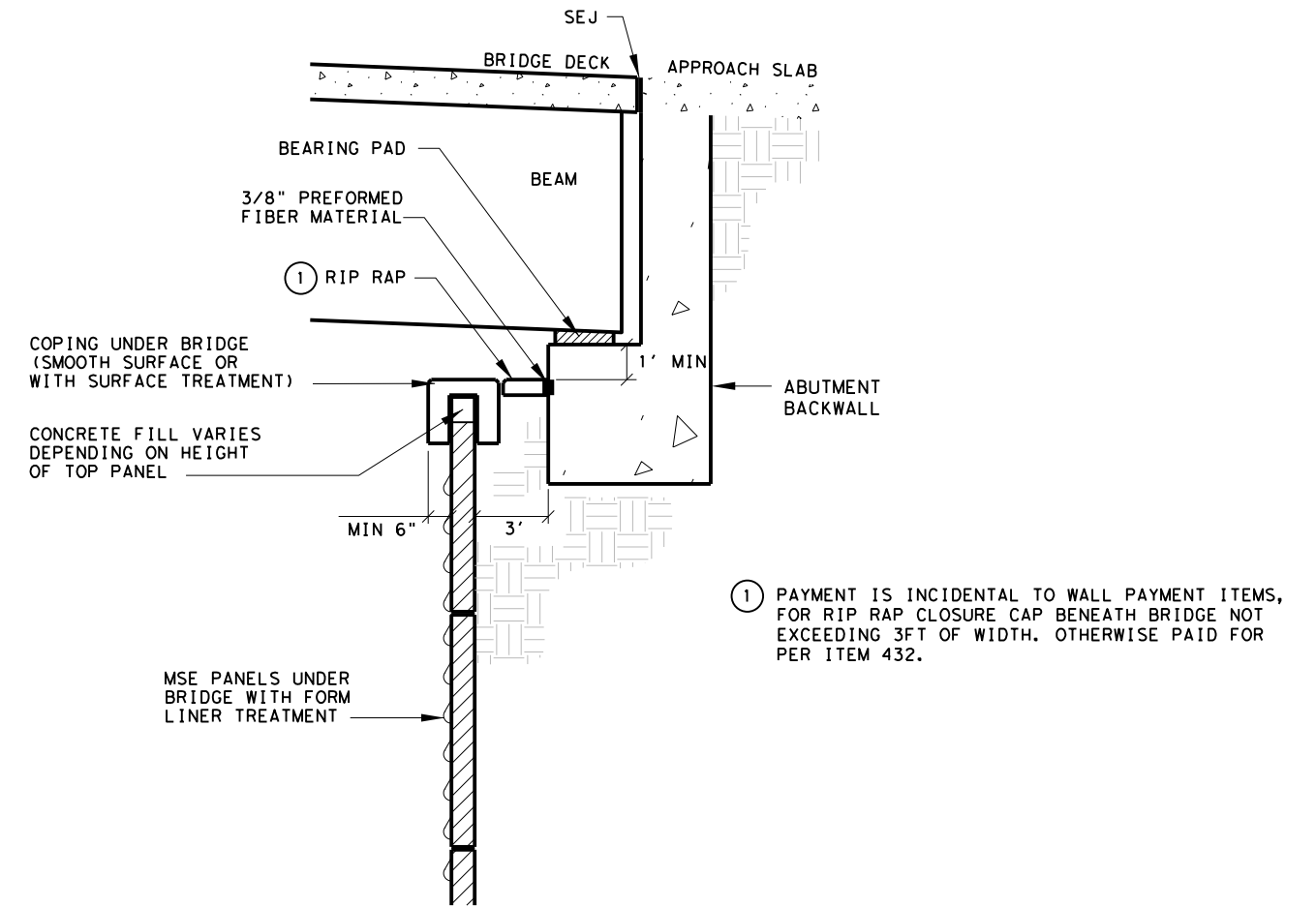
<p><b>RETAINING WALL DETAILS</b> <b>HORIZONTAL SCHEME</b></p>			
<p><b>RWD-HS-25 (HOU)</b></p>			
FILE: RWD-HS-25 (HOU).DGN	DN: TXDOT	CK: TXDOT	DW: TXDOT
© TxDOT April 2025	CONT	SECT	JOB
<p>REVISIONS</p>		<p>HIGHWAY</p>	
07/2024: Form Liner Treatment Under Bridge	DIST	COUNTY	SHEET NO.
07/2024: Specification Update			
04/2025: 2024 Spec Updates			

DATE: FILE:

DISCLAIMER: This standard is governed by the "Texas Engineering Practice Act". No warranty of any kind is made by TxDOT for any purpose whatsoever. TxDOT assumes no responsibility for the conversion of this standard to other formats or for incorrect results or damages resulting from its use.

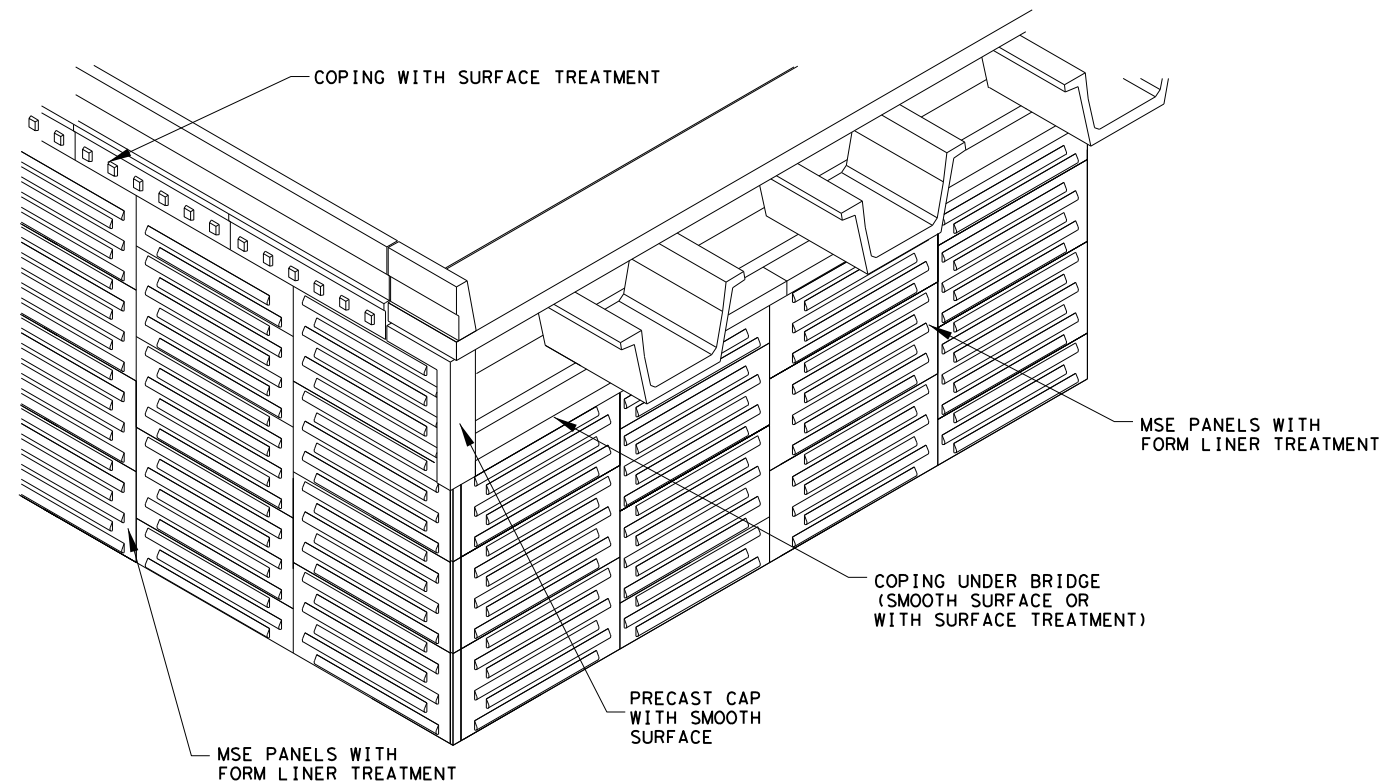


**ELEVATION**

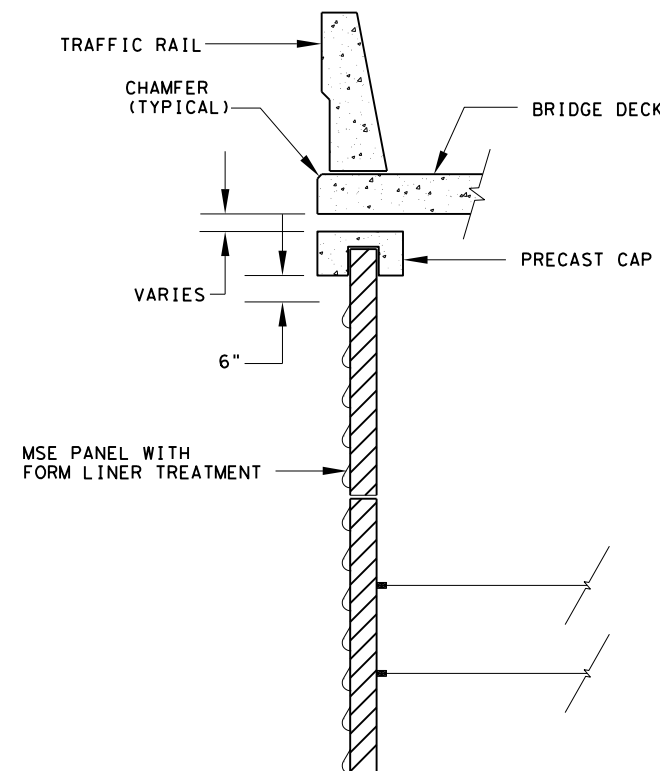


**TYPICAL WALL SECTION @ ABUTMENT**

① PAYMENT IS INCIDENTAL TO WALL PAYMENT ITEMS, FOR RIP RAP CLOSURE CAP BENEATH BRIDGE NOT EXCEEDING 3FT OF WIDTH. OTHERWISE PAID FOR PER ITEM 432.



**MSE Retaining Wall w/ Vertical Front Face**



**SECTION A-A**

NOT TO SCALE SHEET 2 OF 3



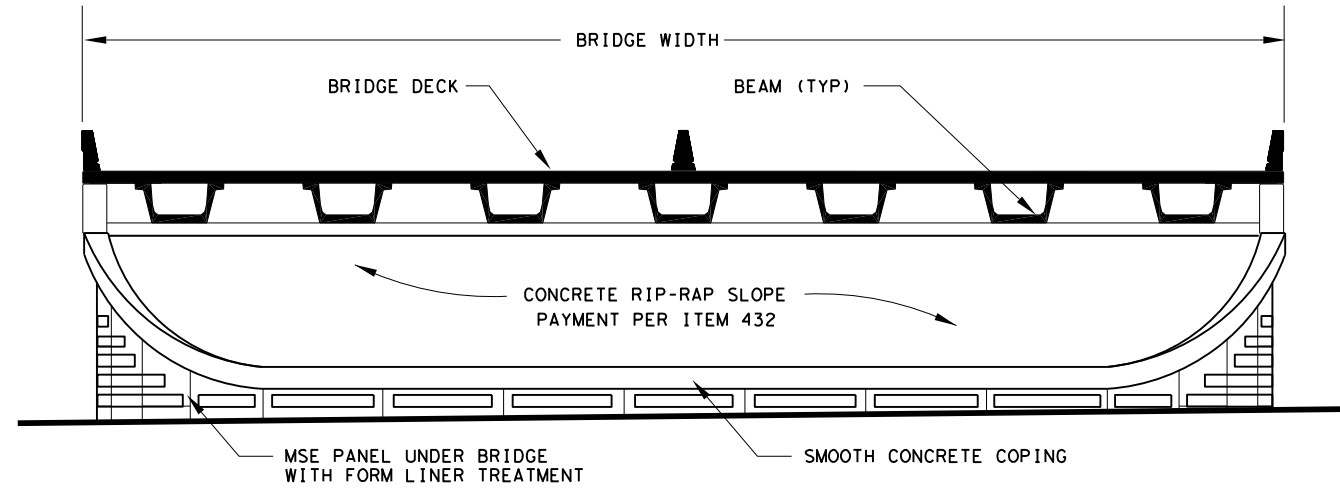
**RETAINING WALL DETAILS  
HORIZONTAL SCHEME**

**RWD-HS-25 (HOU)**

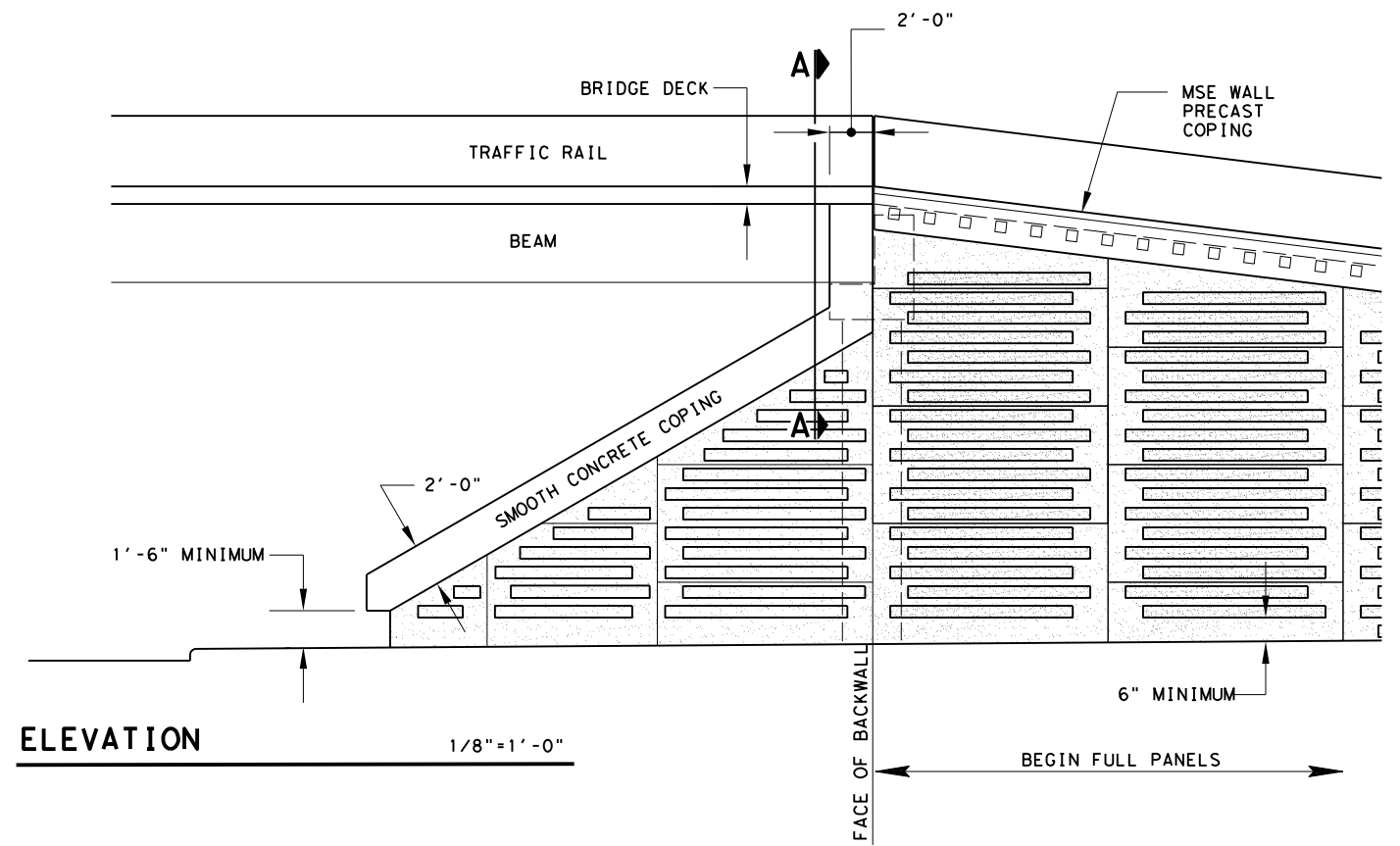
FILE: RWD-HS-25 (HOU).DGN	DN: TXDOT	CK: TXDOT	DW: TXDOT	CK: TXDOT
© TXDOT April 2025	CONT	SECT	JOB	HIGHWAY
<b>REVISIONS</b>				
07/2024: Form Liner Treatment Under Bridge				
07/2024: Specification Update				
04/2025: 2024 Spec Updates				
DIST	COUNTY			SHEET NO.

DATE:  
FILE:

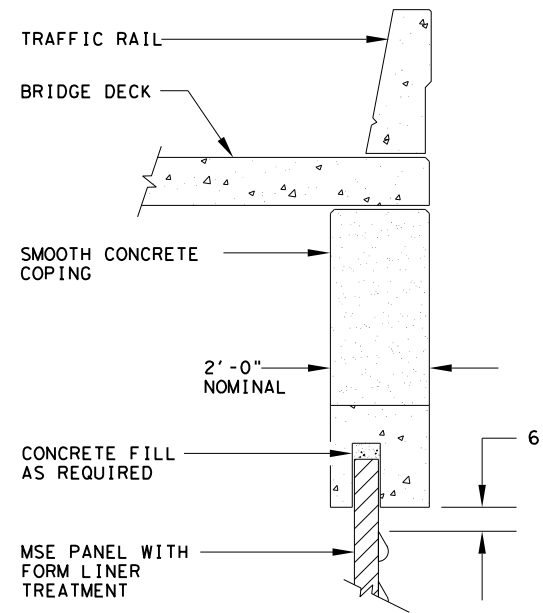
DISCLAIMER: This standard is governed by the "Texas Engineering Practice Act". No warranty of any kind is made by TxDOT for any purpose whatsoever. TxDOT assumes no responsibility for the conversion of this standard to other formats or for incorrect results or damages resulting from its use.



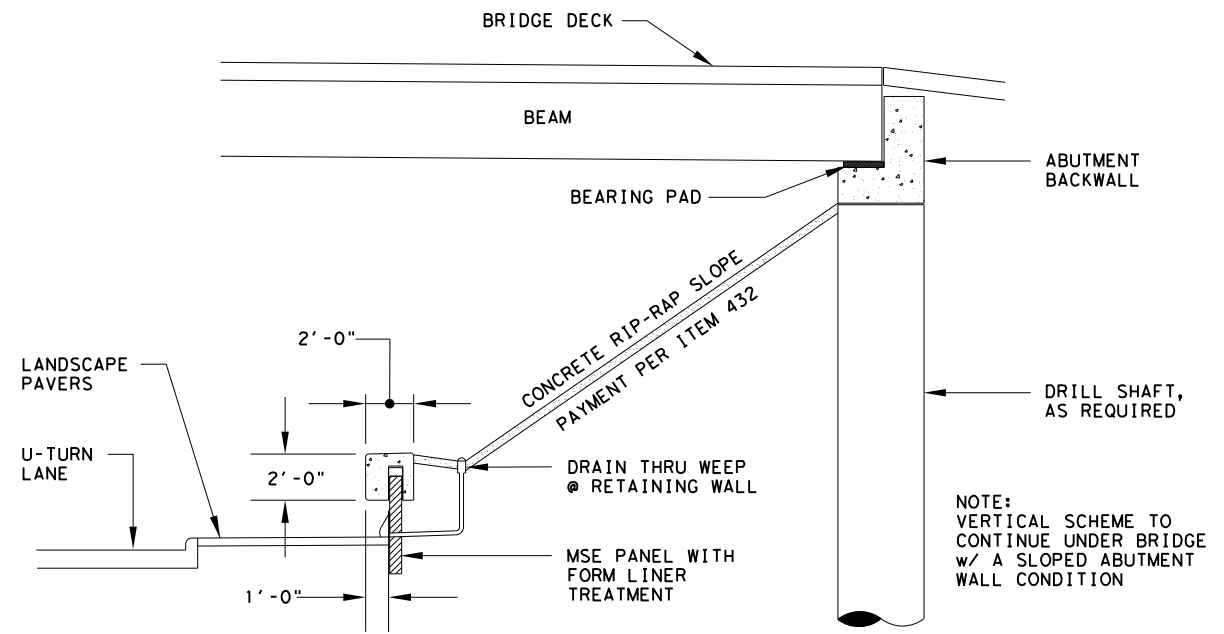
**ELEVATION** 1/16" = 1' - 0"



**ELEVATION** 1/8" = 1' - 0"



**SECTION A-A** 1/4" = 1' - 0"



**SECTION** 1/8" = 1' - 0"

NOT TO SCALE SHEET 3 OF 3



**RETAINING WALL DETAILS  
HORIZONTAL SCHEME**

**RWD-HS-25 (HOU)**

FILE: RWD-HS-25 (HOU). DGN	DN: TXDOT	CK: TXDOT	DW: TXDOT	CR: TXDOT
© TXDOT April 2025	CONT	SECT	JOB	HIGHWAY
<b>REVISIONS</b> 07/2024: Form Liner Treatment Under Bridge 07/2024: Specification Update 04/2025: 2024 Spec Updates				
DIST	COUNTY			SHEET NO.

**MSE Retaining Wall w/ Sloped Rip Rap**

DATE: FILE: