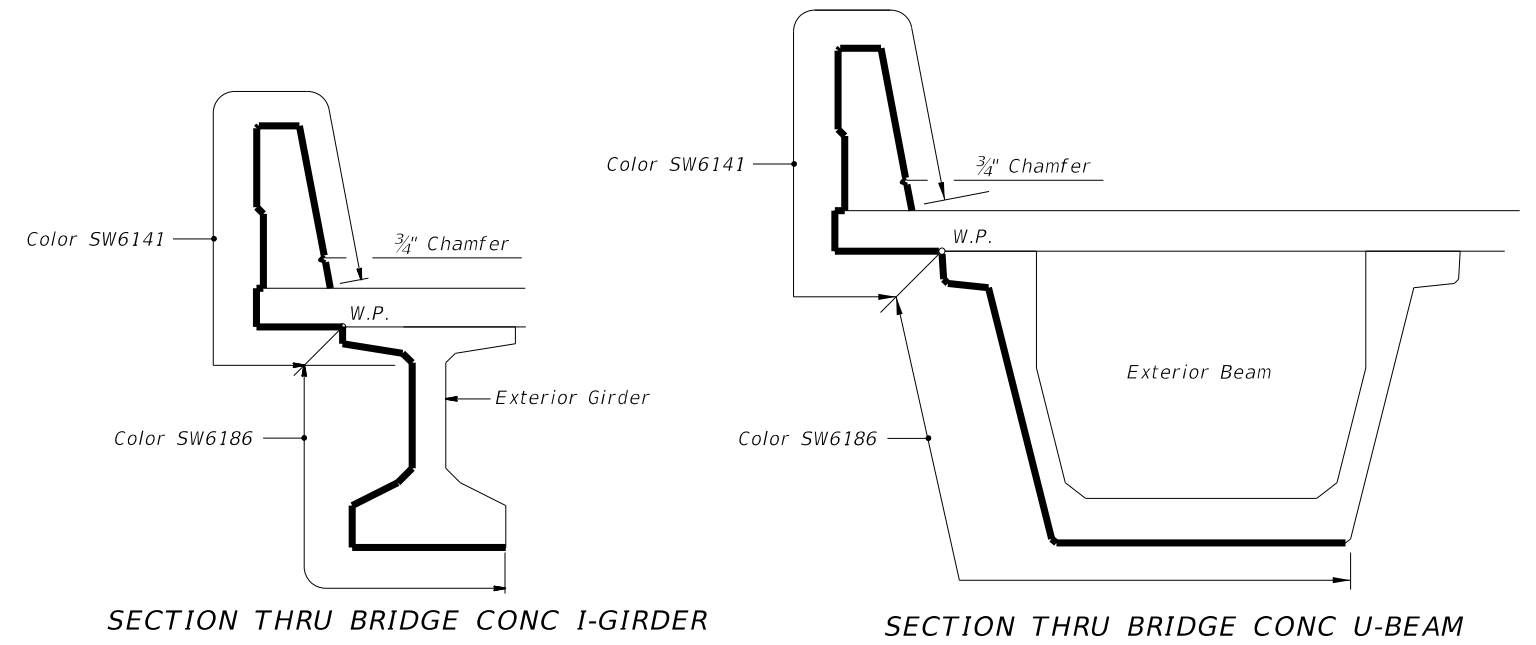
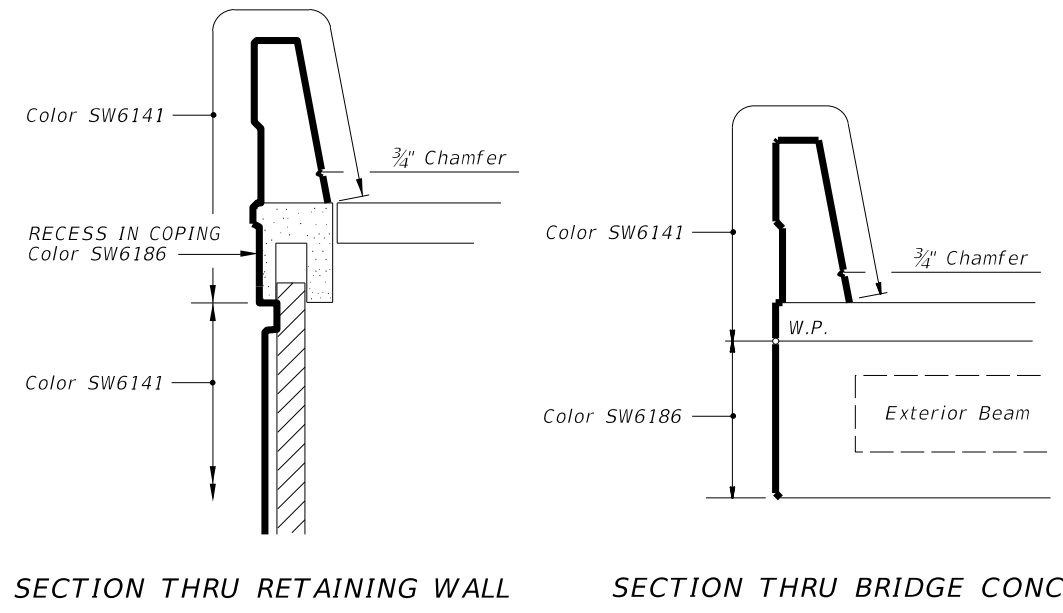
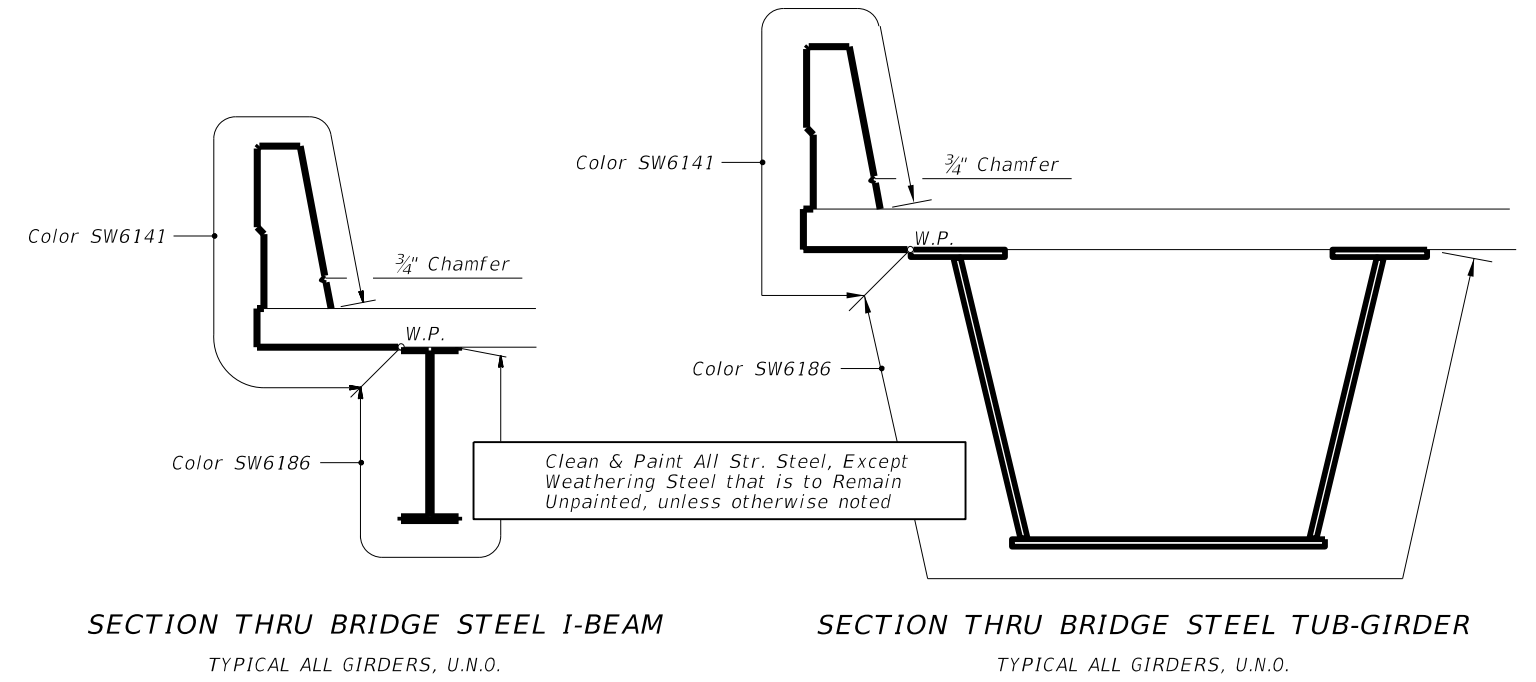


DISCLAIMER: This standard is governed by the "Texas Engineering Practice Act". No warranty of any kind is made by TxDOT for any purpose whatsoever. TxDOT assumes no responsibility for the conversion of this standard to other formats or for incorrect results or damages resulting from its use.

GREEN RIBBON PROJECT VERTICAL SCHEME		SHERWIN WILLIAMS(SW) COLOR # 6141 OR EQUAL	SHERWIN WILLIAMS(SW) COLOR # 6186 OR EQUAL
MSE WALL	PANEL / COPING	X	
	COPING ACCENT		X
STRUCTURES	COLUMN	X	
	BENT CAP	X	
	BEAM		X
RAIL	MEDIAN LOCATION	X	
	EDGE LOCATION	X	
SOUND WALL	PANEL / COLUMN	X	
	COPING / COLUMN CAP / RECESSED CIRCLE OF END COLUMN		X
OTHER STRUCTURES	SIGN COLUMNS	X	
	NEW RIP RAP	X	



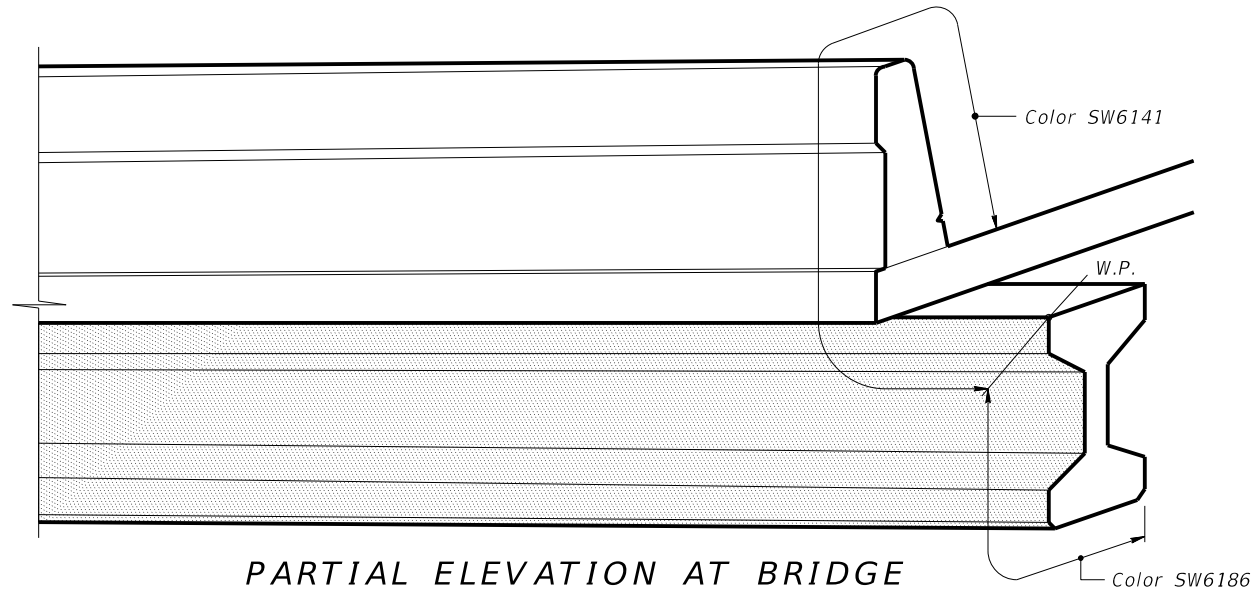
**TYPICAL SECTIONS**

Showing dual color. All other bridge components are color SW6141 or equal. Showing SSTR Rail. Other concrete rails similar.

NOTES: Provide a Surface Area I, Concrete Paint Finish, as per the Standard Specifications and these Details

**NEW CONCRETE SURFACES**  
 Item 427 "Surface Finishes For Concrete" will NOT be Measured or Paid for on New Concrete Surfaces:  
 Item 427 will be incidental to various bid items on New Concrete Surfaces.

**EXISTING CONCRETE SURFACES**  
 Item 427 "Surface Finishes For Concrete" will be Measured and Paid for on Existing Concrete Surfaces.



		<b>Bridge Houston District Standard</b>	
<b>SURFACE FINISHES FOR CONCRETE VERTICAL SCHEME</b>			
<b>SFC-VS-25(HOU)</b>			
FILE: SFC-VS-25(HOU).DGN	DN: TxDOT	CK: TxDOT	DW: TxDOT
©TxDOT APRIL 2025	CONT	SECT	HIGHWAY
REVISIONS 12/05/2016: Color revision: #6186 replaces #2243 06/2017: Removed rail patterns. 04/2025: 2024 Spec Update		DIST	SHEET NO.
HOU		COUNTY	

DATE: FILE: