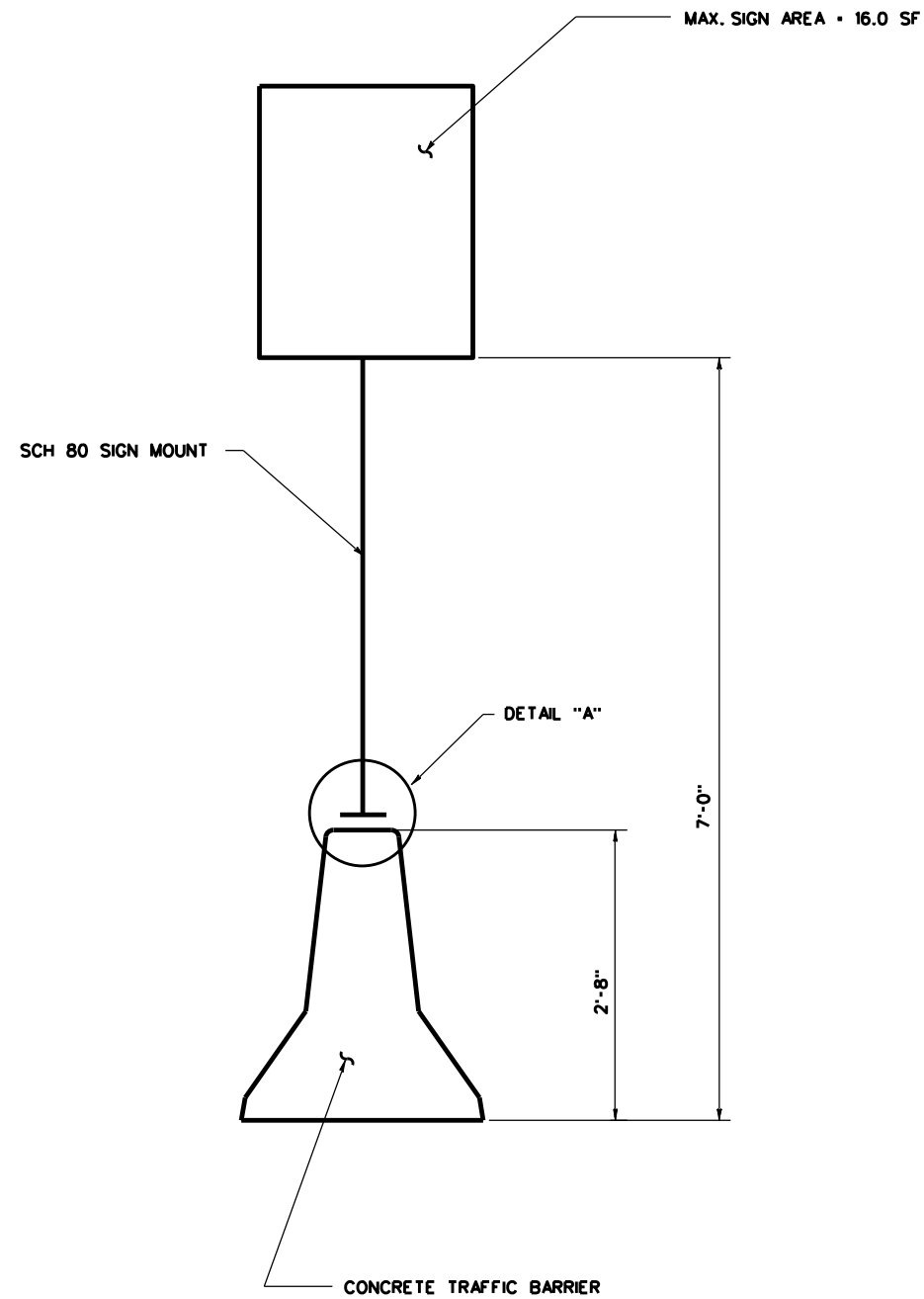


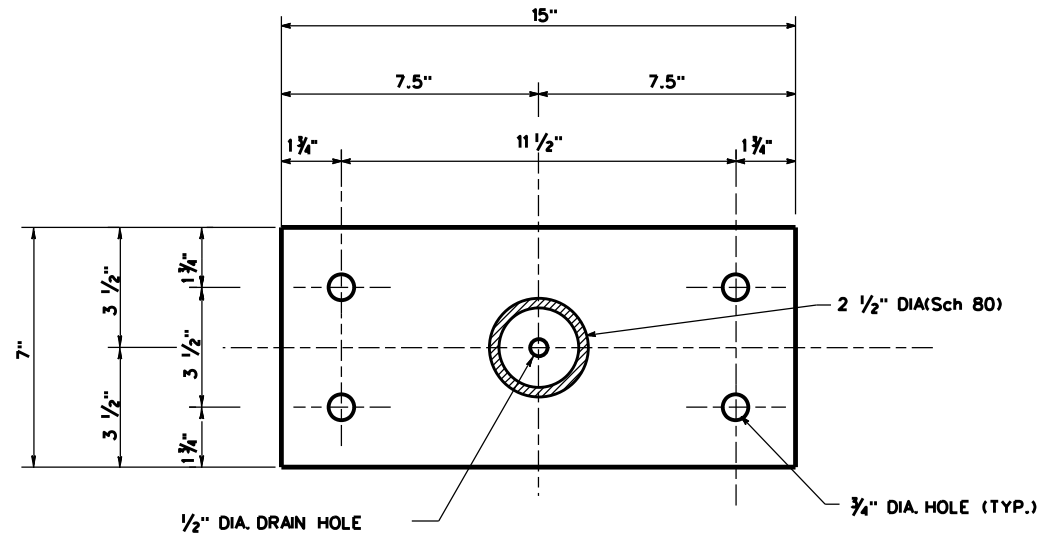
DISCLAIMER: The use of this standard is governed by the "Texas Engineering Practice Act". No warranty of any kind is made by TxDOT for any purpose whatsoever. TxDOT assumes no responsibility for the conversion of this standard to other formats or for incorrect results or damages resulting from its use.

DATE:
FILE:

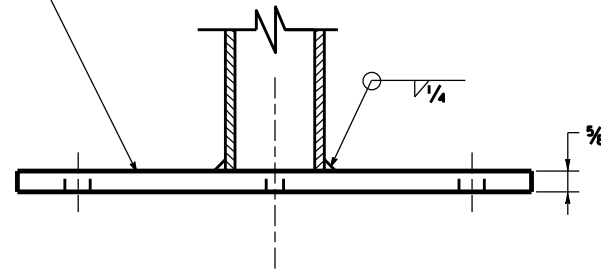


$\frac{5}{8}$ " DIA. CONCRETE ANCHOR
4 PLACES (EMBED A MINIMUM OF
5 $\frac{1}{2}$ " AND TORQUE TO MIN. OF
50 FT-LBS). ANCHOR MAY BE
EXPANSION OR ADHESIVE TYPE.

DETAIL "A"



$\frac{3}{8}$ " x 7" x 15"
Bolt-Down Plate
(Galv. A36)



NOTES:
THE CONCRETE TRAFFIC BARRIER SIGN MOUNT SHALL BE PAID FOR UNDER
THE ITEM, "IN SM RD SN SUP&AM TYPE S80(1)SB(X-XXXX)".

For General Notes, see "SMD Series" Standard
sheets for Small Roadside Signs.

CONCRETE TRAFFIC BARRIER
SIGN MOUNT

SMD(CTB)-24 (HOU)

FILE: SMD(CTB)-24 (HOU).dgn	DN: TXDOT	CK: TXDOT	DW: TXDOT	CK: TXDOT
© TXDOT December 2024	CONT	SECT	JOB	HIGHWAY
REVISIONS				
12-24	DIST	COUNTY	SHEET NO.	