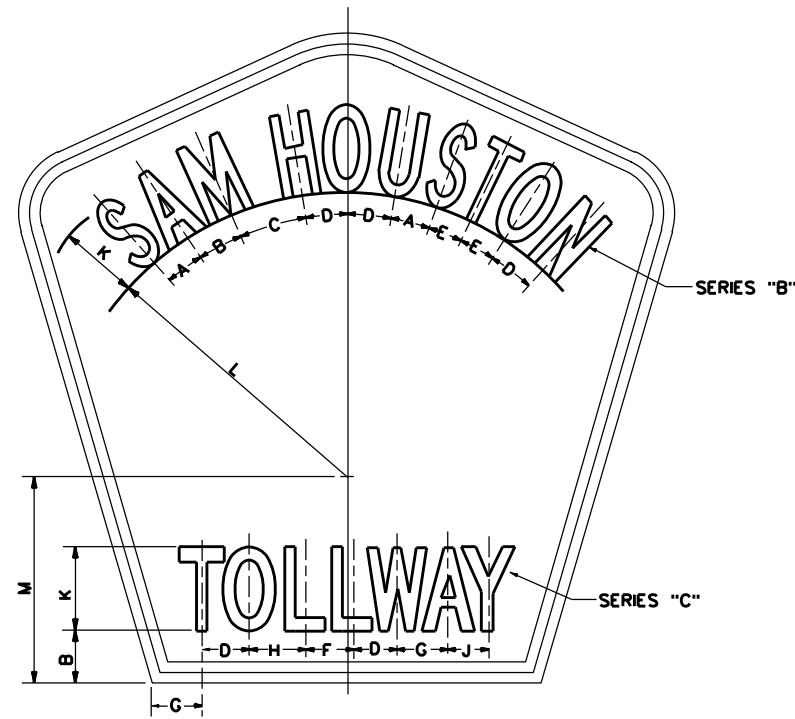
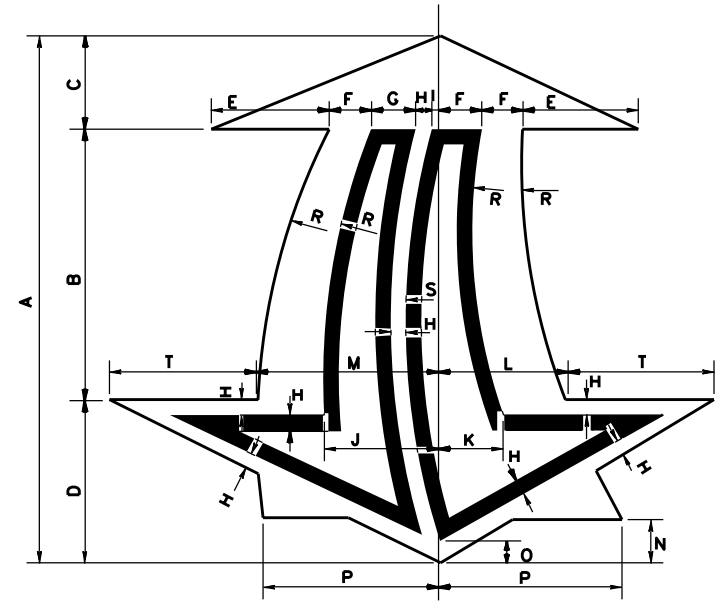
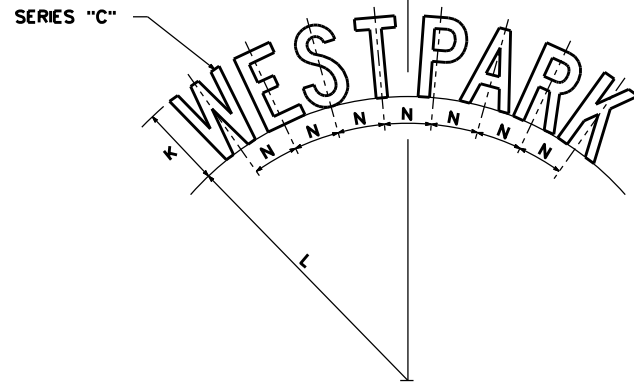


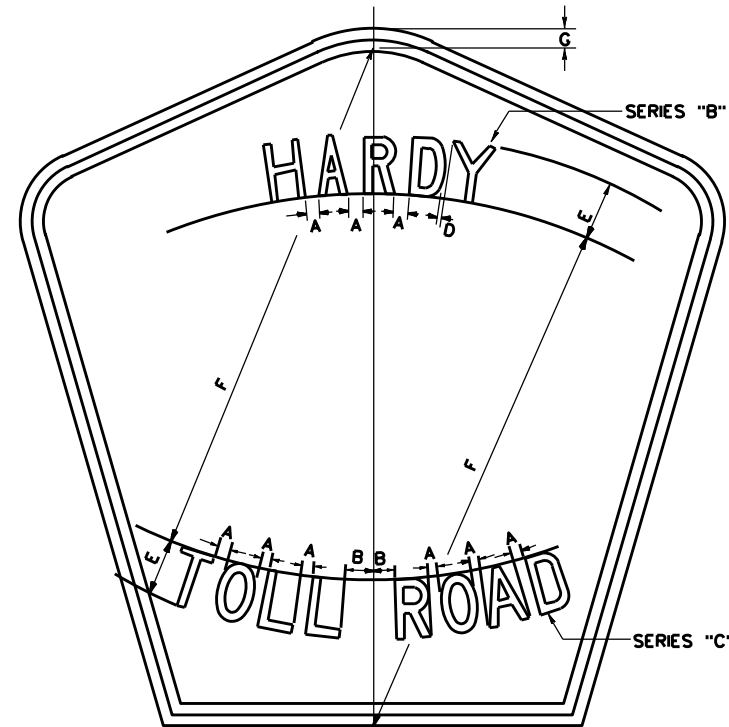
DISCLAIMER: The use of this standard is governed by the "Texas Engineering Practice Act". No warranty of any kind is made by TxDOT for any purpose whatsoever. TxDOT assumes no responsibility for the conversion of this standard to other formats or for incorrect results or damages resulting from its use.



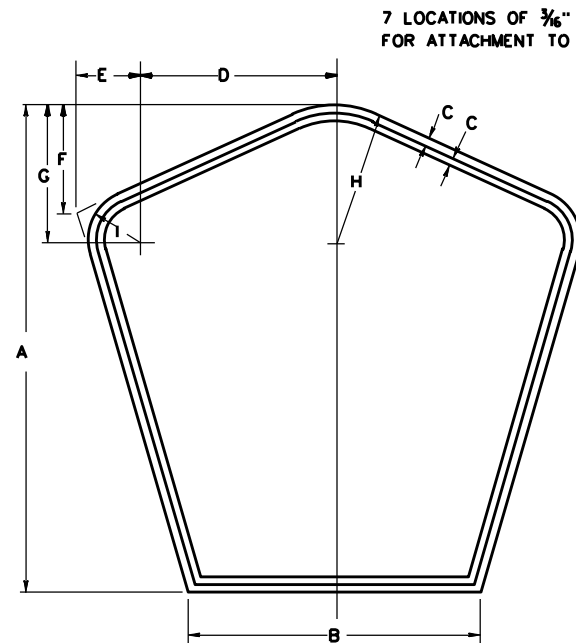
SIGN	SIZE	DIMENSIONS (INCHES)													
		A	B	C	D	E	F	G	H	I	J	K	L	M	N
MIN	18	1-1/8	1-5/16	1-7/8	1-3/16	1	1-1/4	1-3/8	1-1/2	1-1/16	1-1/16	2-1/4	7-1/2	5-13/16	1-7/16
STD	24	1-1/2	1-3/4	2-9/16	1-5/8	1-3/8	1-11/16	1-7/8	2	1-7/16	1-7/16	3	10	7-3/4	1-15/16
SPECIAL	30	1-7/8	2-3/16	3-3/16	2	1-11/16	2-1/8	2-3/8	2-1/2	1-13/16	1-13/16	3-3/4	12-1/2	9-11/16	2-3/8
OH	36	2-1/4	2-5/8	3-13/16	2-7/16	2-11/16	2-1/2	2-13/16	3	2-1/8	2-1/8	4-1/2	15	11-5/8	2-7/8



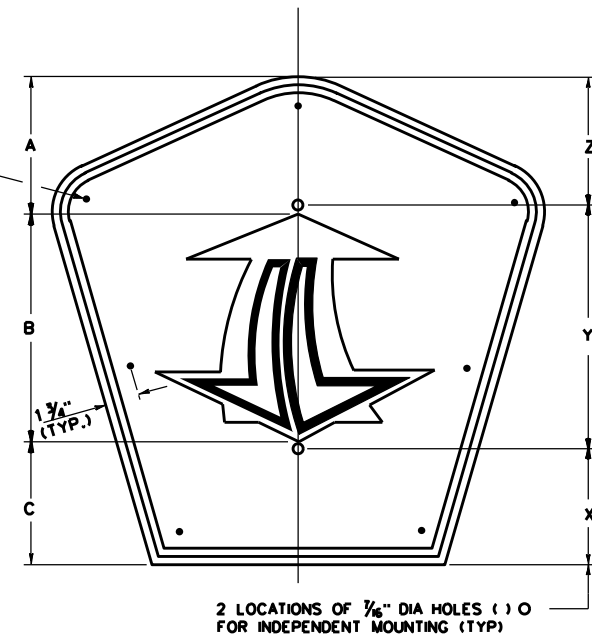
SIGN	SIZE	A	B	C	D	E	F	G	H	I	J	K	L	M	N	O	P	R	S	T
		MIN	18	8-3/8	4-3/16	1-5/8	2-9/16	2-3/8	3/8	3/4	1/4	1/8	1-13/16	1/8	2	2-7/8	1/16	3/8	2-1/8	9
STD	24	11-3/16	5-5/8	2-3/16	3-3/8	3-3/16	13/16	1	5/16	3/16	2-3/8	1-1/8	2-5/8	3-13/16	7/8	3/8	3-5/8	12	R=5-15/16	4-1/4
SPECIAL	30	14	7	2-3/4	4-1/4	4	1	1-1/4	3/8	1/4	3	1-3/8	3-1/4	4-3/4	1-1/8	1/2	4-1/2	15	R=19	5-5/16
OH	36	16-3/4	8-3/8	3-1/4	5-1/4	4-3/8	1-1/2	1-1/2	1/2	3/8	3-5/8	1-5/8	4	5-3/4	1-3/8	3/8	5-3/8	18	R=22-3/4	5-7/8



SIGN	SIZE	DIMENSIONS (INCHES)						
		A	B	C	D	E	F	G
MIN	18	5/8	3/8	1/8	1/8	1-1/2	13-13/16	1/16
STD	24	7/8	7/8	1-3/16	1/8	2	18-3/8	3/8
SPECIAL	30	1 1/2	1	1-1/2	3/8	2-1/2	23	3/4
OH	36	1 7/8	1-3/8	1-13/16	1/4	4-1/2	27	1/2



SIGN	DIMENSIONS (INCHES)								
	A	B	C	D	E	F	G	H	I
MIN	18	10-5/8	1/4	7	2-3/8	3-3/8	5	5	2
STD	24	14-3/16	3/8	9-5/16	3-1/8	5-1/8	6-5/8	5-5/16	2-11/16
SPECIAL	30	17-3/4	1/2	11-5/8	3-7/8	6-1/2	8-1/4	6-5/8	3-3/8
OH	36	21-1/4	5/8	14	4-3/4	6-3/4	10	10	4



SIGN	SIZE	DIMENSIONS (INCHES)		
		A	B	C
MIN	18	5	8-3/8	4-5/8
STD	24	6-5/8	11-3/16	6-3/16
SPECIAL	30	8-1/4	14	7-3/4
OH	36	10	16-3/4	9-1/4

SIGN	DIMENSIONS (INCHES)		
	X	Y	Z
MIN	4-1/2	9-1/4	4-1/4
STD	6-1/4	12	5-3/4
SPECIAL	7-3/4	15	7-1/4
OH	9-3/8	18	8-5/8

SIGN	SAM HOUSTON TOLLWAY	HARDY TOLL ROAD	WESTPARK TOLLWAY
TYPE	M1-5S	M1-5H	M1-5W
MIN	18x18	18x18	18x18
STD	24x24	24x24	24x24
SPECIAL	30x30	30x30	30x30
OH	36x36	36x36	36x36

- LETTERS - YELLOW REFLECTIVE
- INNER ARROW - YELLOW REFLECTIVE
- OUTER ARROW - YELLOW REFLECTIVE
- BORDER - YELLOW REFLECTIVE
- BACKGROUND - PURPLE REFLECTIVE
- INNER ARROW - PURPLE REFLECTIVE
- OUTLINE

THE PURPLE COLOR SHALL BE PANTONE 266.
THE YELLOW COLOR SHALL BE PANTONE 109.

FOR DEPARTMENT MATERIAL SPECIFICATIONS AND GENERAL NOTES SEE "TSR SERIES" STANDARD.



TOLL ROAD ROUTE MARKERS (FOR ATTACHMENT TO GUIDE SIGNS AND INDEPENDENT MOUNTING)

TRM(1)-24 (HOU)

FILE: TRM(1)-24 (HOU).dgn	DN: TXDOT	CK: TXDOT	DW: TXDOT	CK: TXDOT
© TXDOT December 2024	CONT	SECT	JOB	HIGHWAY
REVISIONS				
12-24	DIST	COUNTY	SHEET NO.	

DATE:
FILE: