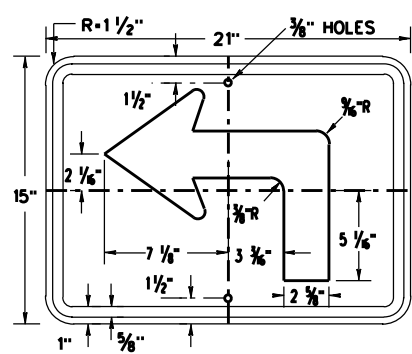
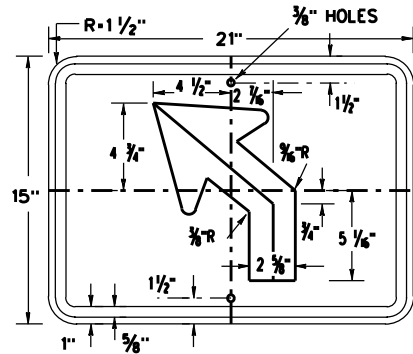


DISCLAIMER: The use of this standard is governed by the "Texas Engineering Practice Act". No warranty of any kind is made by TxDOT for any purpose whatsoever. TxDOT assumes no responsibility for the conversion of this standard to other formats or for incorrect results or damages resulting from its use.

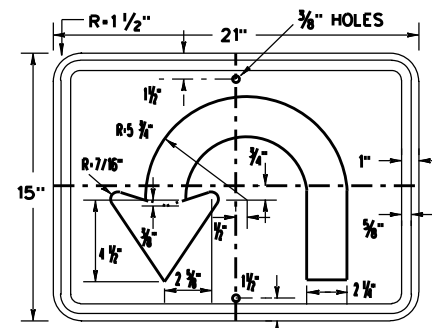
DATE:
FILE:



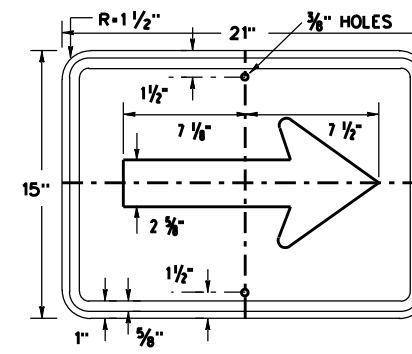
**M5-1PL
M5-1PR**
21" X 15"



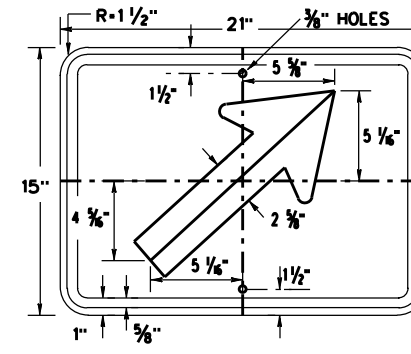
**M5-2PL
M5-2PR**
21" X 15"



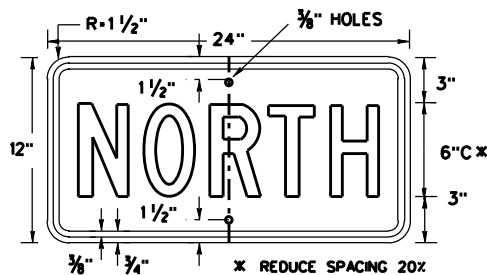
M5-3PL
21" X 15"



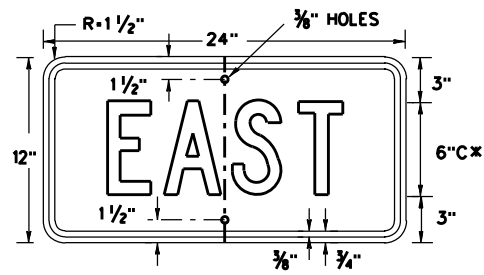
M6-1P
21" X 15"



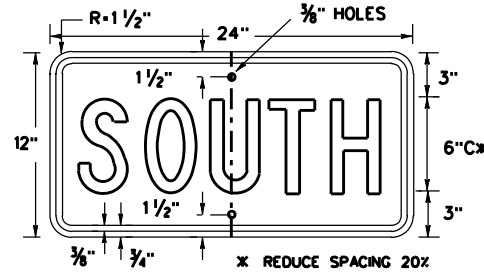
**M6-2PR
M6-2PL**
21" X 15"



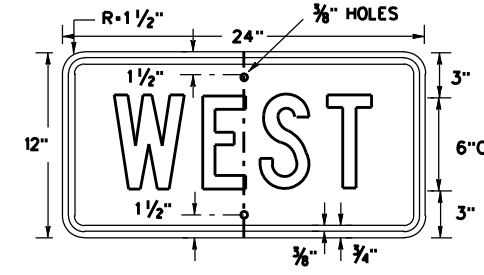
M3-1P
24" X 12"



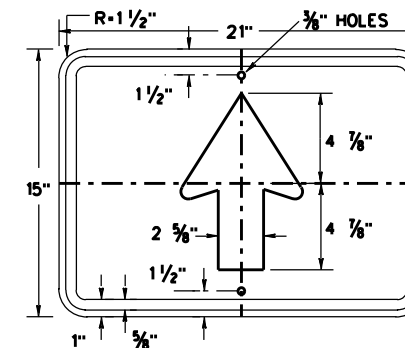
M3-2P
24" X 12"



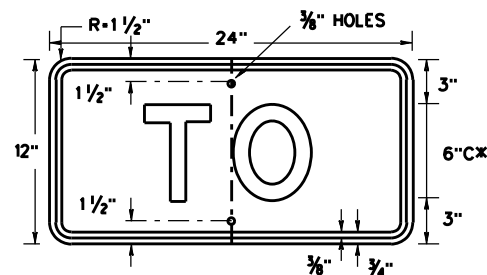
M3-3P
24" X 12"



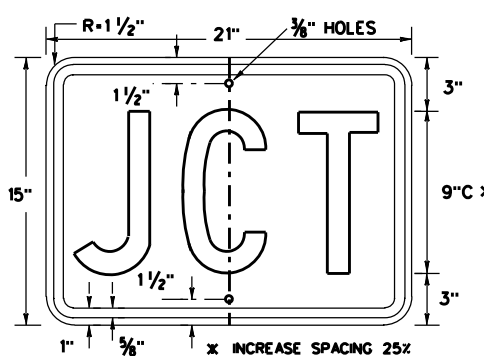
M3-4P
24" X 12"



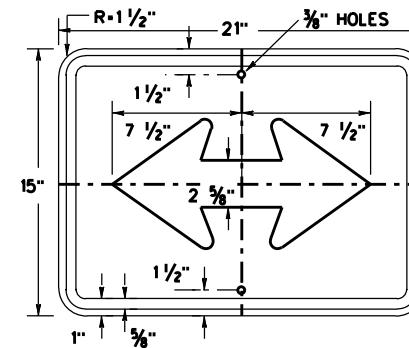
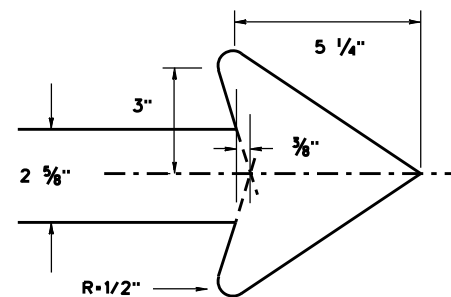
M6-3P
21" X 15"



M4-5P
24" X 12"



M2-1P
21" X 15"



M6-4P
21" X 15"

- LETTERS - YELLOW REFLECTIVE
- SYMBOLS - YELLOW REFLECTIVE
- BORDERS - YELLOW REFLECTIVE
- BACKGROUND - PURPLE REFLECTIVE

THE PURPLE COLOR SHALL BE PANTONE 266.
THE YELLOW COLOR SHALL BE PANTONE 109.

For Department Material Specifications and General Notes see "TSR Series" Standard.



**TOLL ROAD ROUTE MARKER
AUXILIARIES**

TRM(2)-24 (HOU)

FILE: TRM(2)-24 (HOU).dgn	DN: TXDOT	CK: TXDOT	DW: TXDOT	CK: TXDOT
© TXDOT December 2024	CONT	SECT	JOB	HIGHWAY
REVISIONS				
12-24	DIST	COUNTY	SHEET NO.	