

INDEX OF SHEETS

SHEET NO. DESCRIPTION

SEE SHEET 2

STATE OF TEXAS
DEPARTMENT OF TRANSPORTATION

PLANS OF PROPOSED
FEDERAL HIGHWAY IMPROVEMENTS

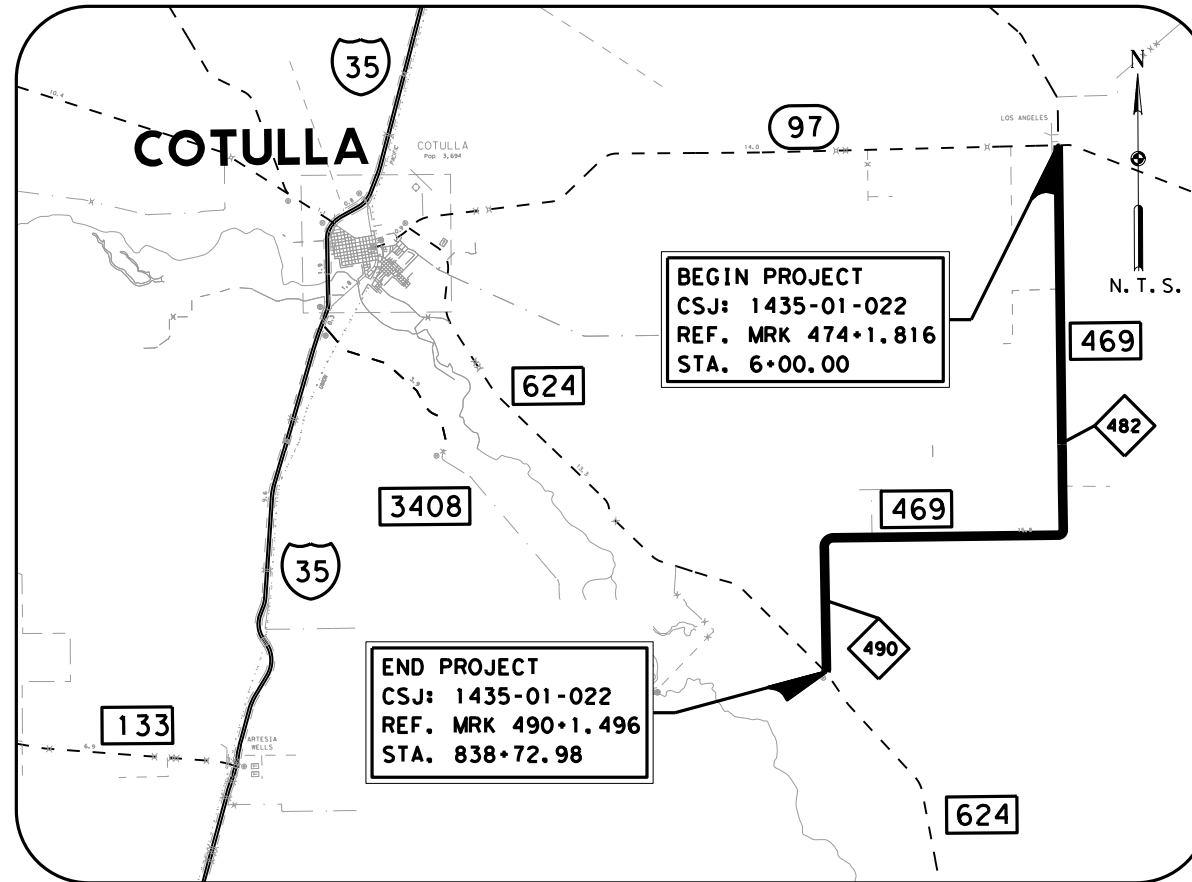
FEDERAL AID PROJECT No.

FM 469
LA SALLE COUNTY
CSJ: 1435-01-022

NET LENGTH OF PROJECT : 83,272.98 FT. = 15.771 MILES

LIMITS FROM : SH 97
TO : FM 624

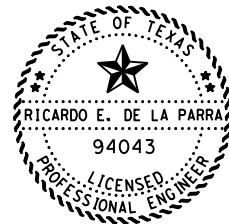
FOR THE RESTORATION OF AN EXISTING HIGHWAY CONSISTING OF
WIDENING, GRADING, BASE, STRUCTURES, SURFACING, SIGNING AND STRIPING



EQUATIONS: NONE
EXCEPTIONS: NONE
RAILROAD CROSSINGS: NONE

STANDARD SHEETS SPECIFICALLY IDENTIFIED ON THE "INDEX OF SHEETS" HAVE BEEN SELECTED BY ME OR UNDER MY RESPONSIBLE SUPERVISION AS BEING APPLICABLE TO THIS PROJECT.

_____, P. E.



DATE

SPECIFICATIONS ADOPTED BY THE TEXAS DEPARTMENT OF TRANSPORTATION, JUNE 1, 2004 AND SPECIFICATION ITEMS LISTED AND DATED AS FOLLOWS, SHALL GOVERN ON THIS PROJECT: REQUIRED CONTRACT PROVISIONS FOR ALL FEDERAL - AID CONSTRUCTION CONTRACTS (FORM FHWA 1273, MAY 1, 2012).

FEDROAD DIV NO	STATE	FEDERAL AID PROJECT NO	SHEET NO
6	TEXAS	STP ()	1
STATE DIST NO	COUNTY	STATE CONTROL NO	HIGHWAY NO
22	LA SALLE	1435-01-022	FM 469

DESIGN DATA:
 DESIGN CRITERIA: 2R
 ADT (2010): 100
 ADT (2030): 200
 % TRUCK IN ADT: 20.1
 FUNCTIONAL CLASS: RURAL MINOR COLLECTOR
 DESIGN SPEED: N/A
 TDLR REQUIRED: YES NO

FINAL PLANS

LETTING DATE: _____
 DATE CONTRACTOR BEGAN WORK: _____
 DATE WORK WAS ACCEPTED: _____
 CONTRACTOR: _____
 TOTAL CONTRACTOR COST: _____

FINALS AS BUILT

THE CONSTRUCTION WAS PERFORMED UNDER MY SUPERVISION IN ACCORDANCE WITH THE PLANS AND CONTRACT

AREA ENGINEER

DATE

SUBMITTED FOR LETTING: _____ 20____

AREA ENGINEER

RECOMMENDED FOR LETTING: _____ 20____

DIRECTOR OF TRANSPORTATION, PLANNING, & DEVELOPMENT

RECOMMENDED FOR LETTING: _____ 20____

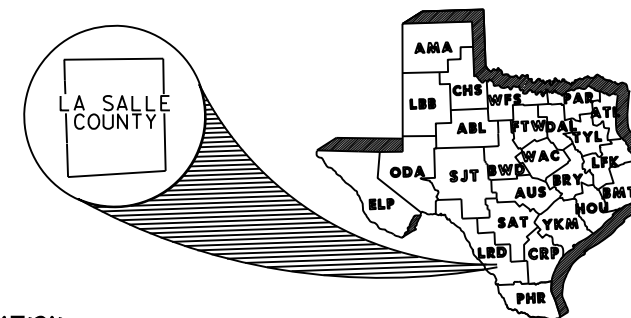
DISTRICT ADMINISTRATOR

APPROVED FOR LETTING: _____

DIRECTOR TRAFFIC OPERATION DIVISION

APPROVED FOR LETTING: _____

DIRECTOR, DESIGN DIVISION

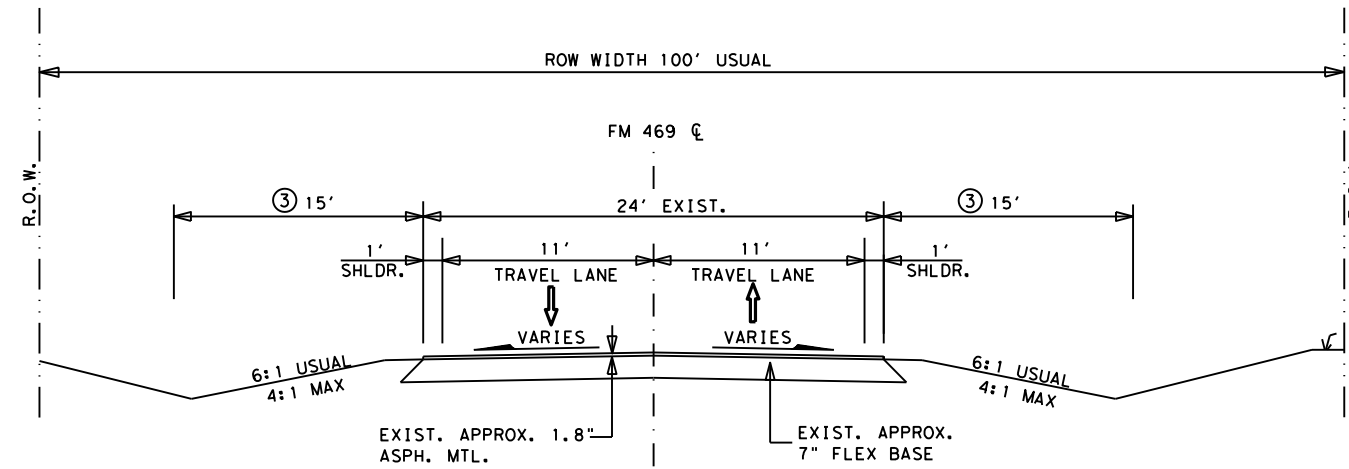


Texas Department of Transportation®

© 2013 BY TEXAS DEPARTMENT OF TRANSPORTATION; ALL RIGHTS RESERVED

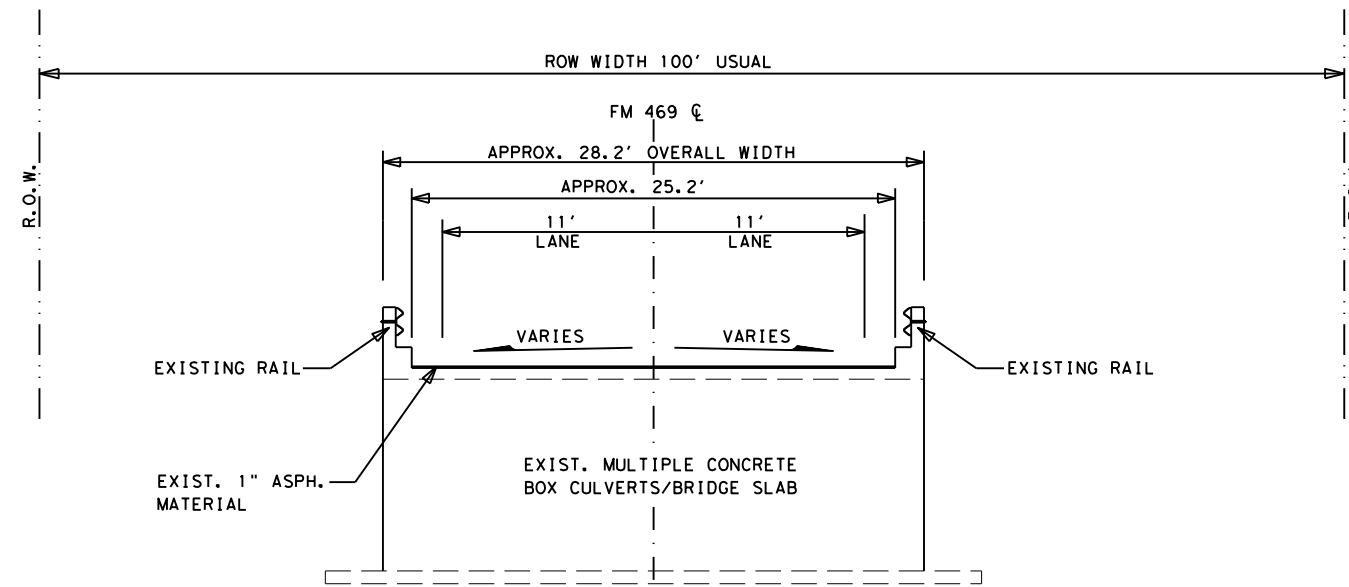
NOTE:

③ EXISTING TOPSOIL WILL BE SALVAGED IN WINDROWS AS PER THE GENERAL NOTES.



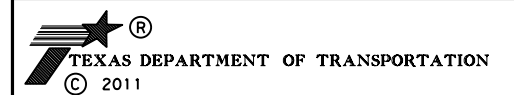
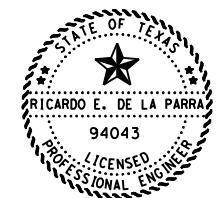
EXISTING TYPICAL SECTION

STA. 6+00.00 TO STA. 74+93.16
 STA. 75+72.85 TO STA. 178+52.71
 STA. 178+75.98 TO STA. 838+72.98



EXISTING BRIDGE TYPICAL SECTION

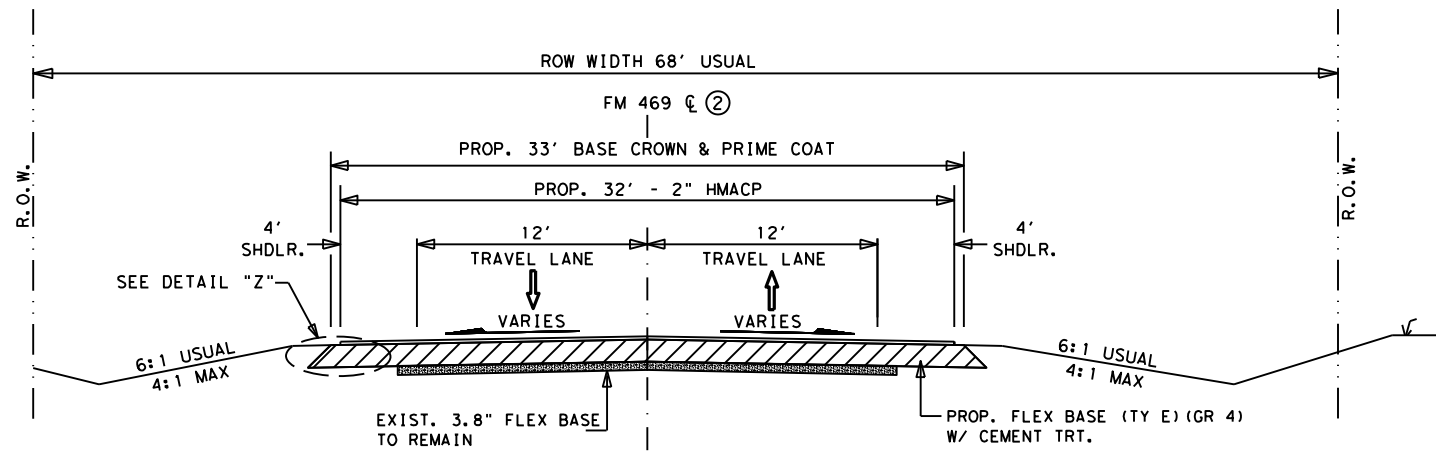
STA. 74+93.16 TO STA. 75+72.85
 STA. 178+52.71 TO STA. 178+75.98



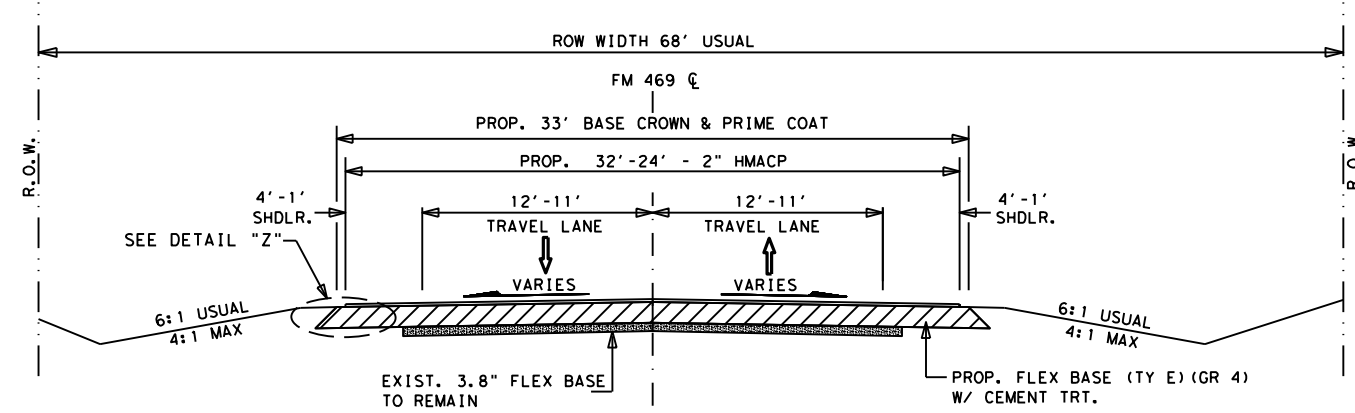
EXISTING TYPICAL SECTIONS

DN: RED		DW: RED	
CK: RED		CK: RED	
FED. RD. DIV. NO.	STATE PROJECT NO.	SHEET NUMBER	SHEET NO.
6		SHEET 1 OF 1	
STATE	STATE DIST. NO.	COUNTY	CONTROL SECTION JOB HIGHWAY NO.
TEXAS	22	LA SALLE	1435 01 022 FM 469

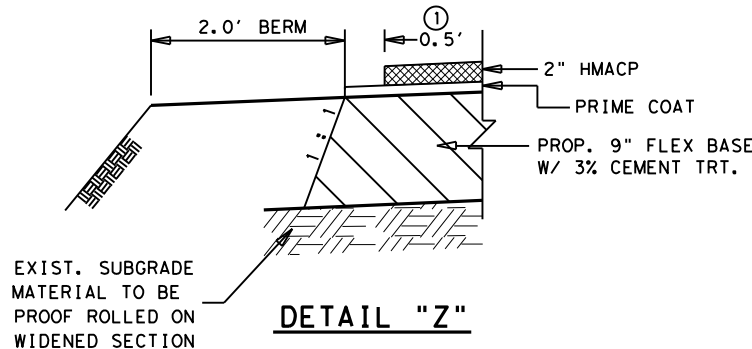
7/22/2013 RDELAPAR T:\PROJECTS\142\143501022\GENERAL\FM4691ypsec.dgn



PROPOSED TYPICAL SECTION
 STA. 6+00.00 TO STA. 73+38.02
 STA. 77+27.93 TO STA. 838+72.98



PROPOSED TYPICAL SECTION
 STA. 73+38.02 TO STA. 74+38.02



RATES OF APPLICATION

SURFACE TREATMENT:
 PROP. 2.0" D - GR HMA TY - C
 PG70-22 @ 115 LBS/SY/IN/SY

PRIME:
 ASPH (RC - 250) - 0.20 GAL/SY
 AGGR (TY PE, GR 5) - 1 CY/120 SY

FLEX BASE:
 REWORK 9" FLEX BASE (TY D) (OC) - 3510 LBS/CY
 (COMP. MEAS.) CEMENT TREAT 9" W/ 3% CEMENT BY WT.

THE CONTRACTOR IS RESPONSIBLE TO FOLLOW THE EXIST. GEOMETRIC FOR HORIZONTAL AND VERTICAL ALIGNMENTS

- NOTE:**
- ① LEAVE 0.5' PRIMED AND BARE
 - ② PROPOSED DESIGN CENTER LINE SHOULD NOT BE CONSIDERED COINCIDENTAL WITH EXISTING STRIPING
 - ③ EXISTING TOPSOIL WILL BE SALVAGED IN WINDROW AS PER GENERAL NOTES. REFER TO "FM 469 SW3P LAYOUT" SHEET(S) FOR MORE INFORMATION
- SEE "SUMMARY OF ROADWAY" FOR MORE QUANTITY INFORMATION

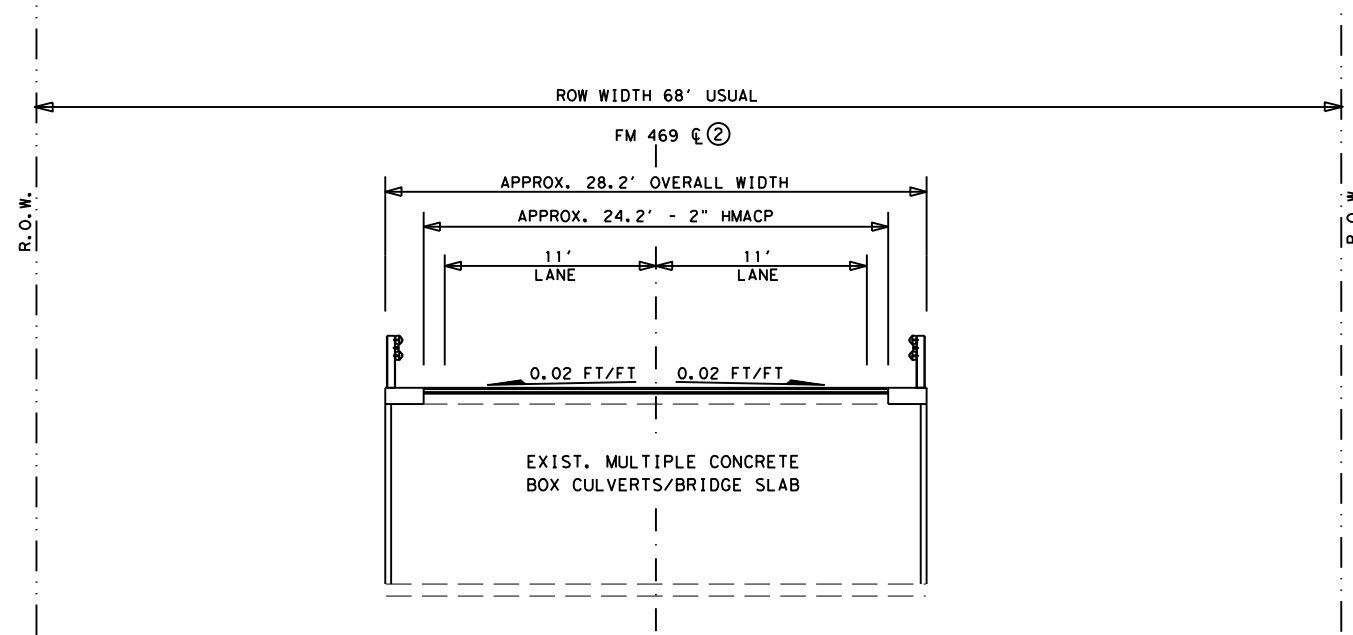


TEXAS DEPARTMENT OF TRANSPORTATION
 © 2011

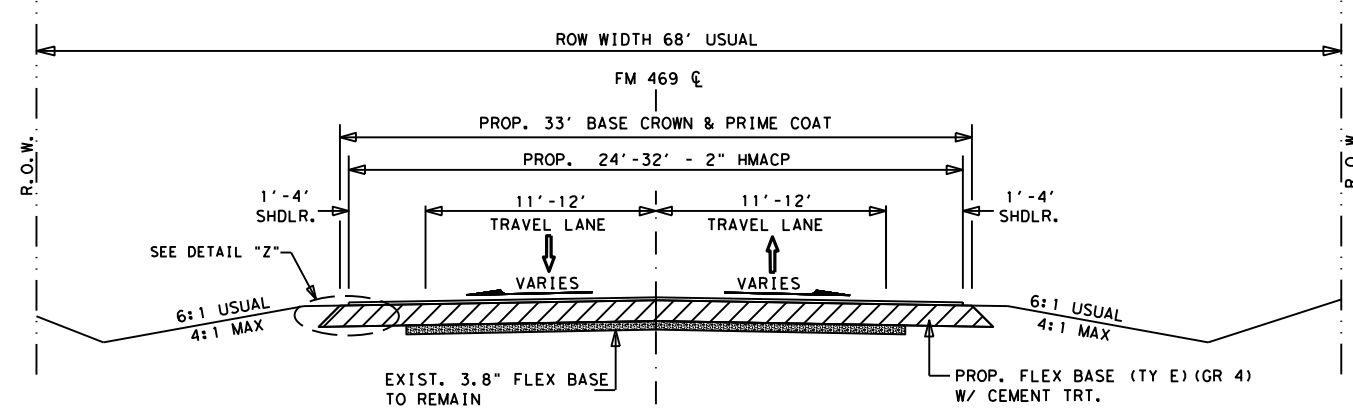
PROPOSED TYPICAL SECTIONS

DN: RED		DW: RED	
CK: RED		CK: RED	
FED. RD. DIV. NO.	STATE PROJECT NO.	SHEET NUMBER	SHEET NO.
6		SHEET 1 OF 2	
STATE	STATE DIST. NO.	COUNTY	CONTROL SECTION JOB HIGHWAY NO.
TEXAS	22	LA SALLE	1435 01 022 FM 469

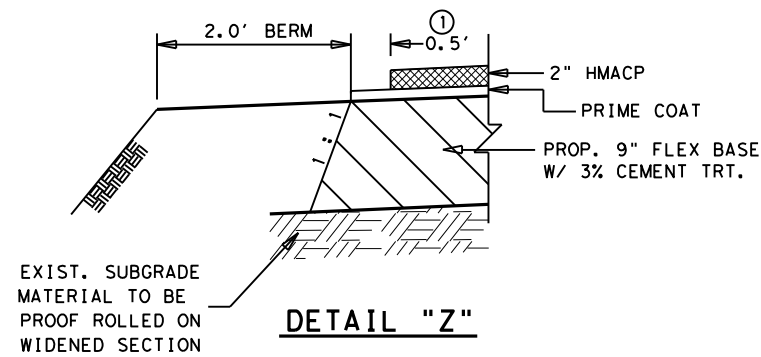
7/22/2013 RDELAPAR T:\PROJECTS\142\143501022\GENERAL\FM4691ypsec.dgn



PROPOSED TYPICAL SECTION
STA. 74+38.02 TO STA. 76+27.93



PROPOSED TYPICAL SECTION
STA. 76+27.93 TO STA. 77+27.93



RATES OF APPLICATION

SURFACE TREATMENT:
PROP. 2.0" D - GR HMA TY - C
PG70-22 @ 115 LBS/SY/IN/SY

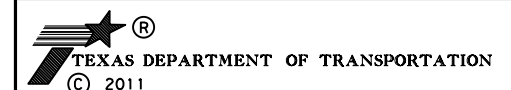
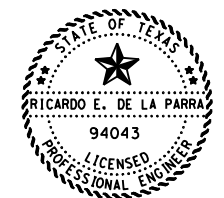
PRIME:
ASPH (RC - 250) - 0.20 GAL/SY
AGGR (TY PE, GR 5) - 1 CY/120 SY

FLEX BASE:
REWORK 9" FLEX BASE (TY D) (OC)-3510 LBS/CY
(COMP. MEAS.) CEMENT TREAT 9" W/ 3% CEMENT BY WT.

THE CONTRACTOR IS RESPONSIBLE TO FOLLOW THE EXIST. GEOMETRIC FOR HORIZONTAL AND VERTICAL ALIGNMENTS

NOTE:

- ① LEAVE 0.5' PRIMED AND BARE
 - ② PROPOSED DESIGN CENTER LINE SHOULD NOT BE CONSIDERED COINCIDENTAL WITH EXISTING STRIPING
 - ③ EXISTING TOPSOIL WILL BE SALVAGED IN WINDROW AS PER GENERAL NOTES. REFER TO "FM 469 SW3P LAYOUT" SHEET(S) FOR MORE INFORMATION
- SEE "SUMMARY OF ROADWAY" FOR MORE QUANTITY INFORMATION



PROPOSED TYPICAL SECTIONS

DN: RED		DW: RED	
CK: RED		CK: RED	
FED. RD. DIV. NO.	STATE PROJECT NO.	SHEET NUMBER	SHEET NO.
6		SHEET 2 OF 2	
STATE	STATE DIST. NO.	COUNTY	CONTROL SECTION JOB HIGHWAY NO.
TEXAS	22	LA SALLE	1435 01 022 FM 469