

## Important Tips

Your needs and those of your family should be the primary factors considered when determining the timing of your evacuation. If you must evacuate, do not delay your departure in anticipation of the opening of the contraflow lanes. Should the contraflow be activated, citizens will be advised through local radio and television stations. All citizens should prepare a plan well in advance of the evacuation.

### The following steps are recommended:

- ✓ Assemble your disaster supplies kit with items such as flashlights, cell phones, extra batteries, battery chargers, portable radio, first aid kit, emergency water and food, medical supplies and equipment, non-electric can opener, highway map, important documents, such as insurance and medical information, etc.
- ✓ Secure your home against disaster to help reduce damages. Cover windows with shielding materials. Secure or put up any loose objects from around your home.
- ✓ If you cannot take your pets with you, make provisions for them.
- ✓ Know your area's evacuation plan/routes before you leave home ([www.texas.gov](http://www.texas.gov)).
- ✓ Fill your vehicle with gas as early as possible. Take only the vehicle necessary to transport you and your family to safety. Extra vehicles create congestion.
- ✓ Bring extra cash in case banks are closed and ATMs are not working.
- ✓ Notify family and friends (especially those out the area) of your plan and your destination.
- ✓ Develop an emergency plan in case family members are separated. Instruct all evacuating family members of the name and contact information of your designated out-of-area friend or family.
- ✓ Ensure children know how and when to call 9-1-1.
- ✓ Evacuate, traveling safely to your destination.
- ✓ Expect travel times to destinations to be significantly longer than normal.

After the storm, listen to local officials for the all-clear signal before returning home. Check for information at [www.texas.gov](http://www.texas.gov).

**Do not try to drive through standing water. Just a few inches can float a vehicle.**

## Fender-Bender?

State law requires motorists to move fender-bender accidents out of the travel lanes to the shoulder of the road. To keep all travel lanes and shoulders clear, however, disabled vehicles on the shoulder will be relocated to the next exit ramp where further assistance may be available.

**More information on hurricane preparedness and evacuation safety is available from the following:**

### Shelters and Special Needs

Call 2-1-1

### Emergency Alert Station

Houston: KTRH 740 AM

### State of Texas

[www.texas.gov](http://www.texas.gov)

### Texas Department of Transportation

[www.txdot.gov](http://www.txdot.gov)

### Highway Road Conditions and Evacuation Routes

[www.drivetexas.org](http://www.drivetexas.org)

1-800-452-9292

### Texas Department of Public Safety

<https://www.dps.texas.gov/>

### Governor's Division of Emergency Management

<https://tdem.texas.gov/>

### American Red Cross

[www.redcross.org](http://www.redcross.org)

1-800-RED-CROSS (733-2767)

**For Emergencies: Call 9-1-1**

# HOUSTON TO AUSTIN, BRYAN, COLLEGE STATION, WACO

## TEXAS



## Hurricane Evacuation Contraflow Route

### Motorist Advisory

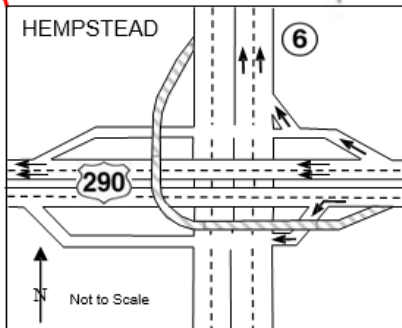
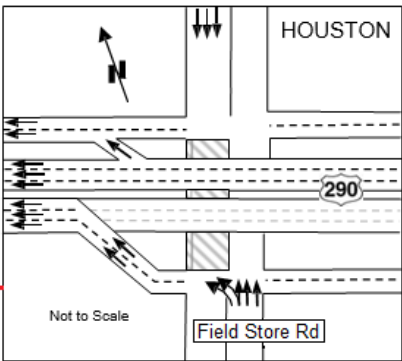
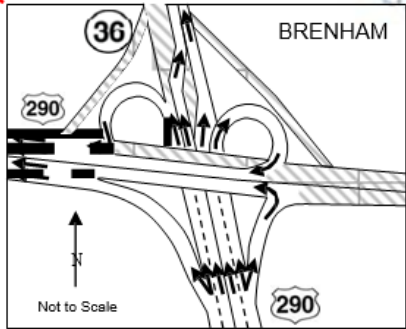
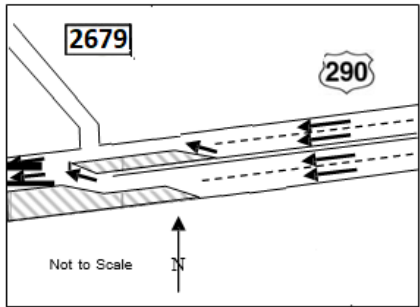
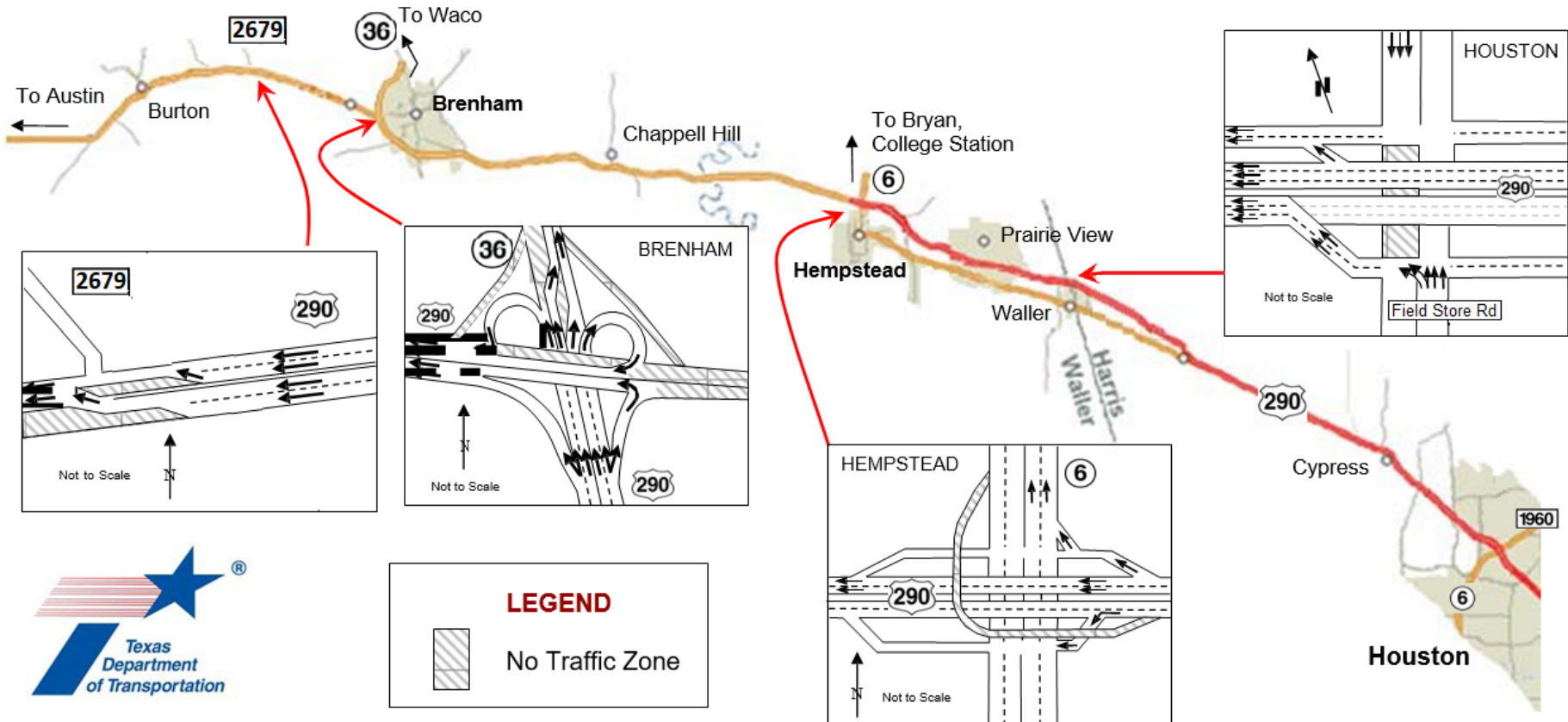
**Evacuation Plans May or May Not  
Include Activating Contraflow Lanes**




# HOUSTON TO AUSTIN, BRYAN, COLLEGE STATION, WACO

# Hurricane Evacuation Route's Potential Contraflow Plan

TEXAS



**LEGEND**

 No Traffic Zone

**WHO...** This plan will affect motorists evacuating from the Houston area.

**WHY...** To help move citizens safely and efficiently out of harm's way during large-scale evacuations.

**WHAT...** If this plan is activated, US 290 eastbound lanes will be reversed to carry two lanes of westbound traffic. Traffic in the contraflow lanes will be able to exit US 290 at selected locations.

**WHEN...** The reversal will be considered only when the Houston area is threatened by a major hurricane and mandatory evacuations are issued. A decision to reverse US 290 will be made by local authorities working with the State Operations Center based on the strength of the storm and projected landfall.

**WHERE...** The contraflow operations will begin west of Field Store Rd. Northbound traffic from SH 6 can turn west into US 290 contraflow lanes.