

STATE OF TEXAS
DEPARTMENT OF TRANSPORTATION - HIGHWAY DIVISION

FILE NO.	STATE	PROJECT NO.	SHEET NO.
1	TEXAS	1R-35-51	1
2	TARRANT	81-12-23	1-35W

PLANS OF PROPOSED
RIGHT OF WAY PROJECT

FINAL ROW MAP

I. H. 35-W - TARRANT COUNTY - ACCT. NO. 8002-1-60

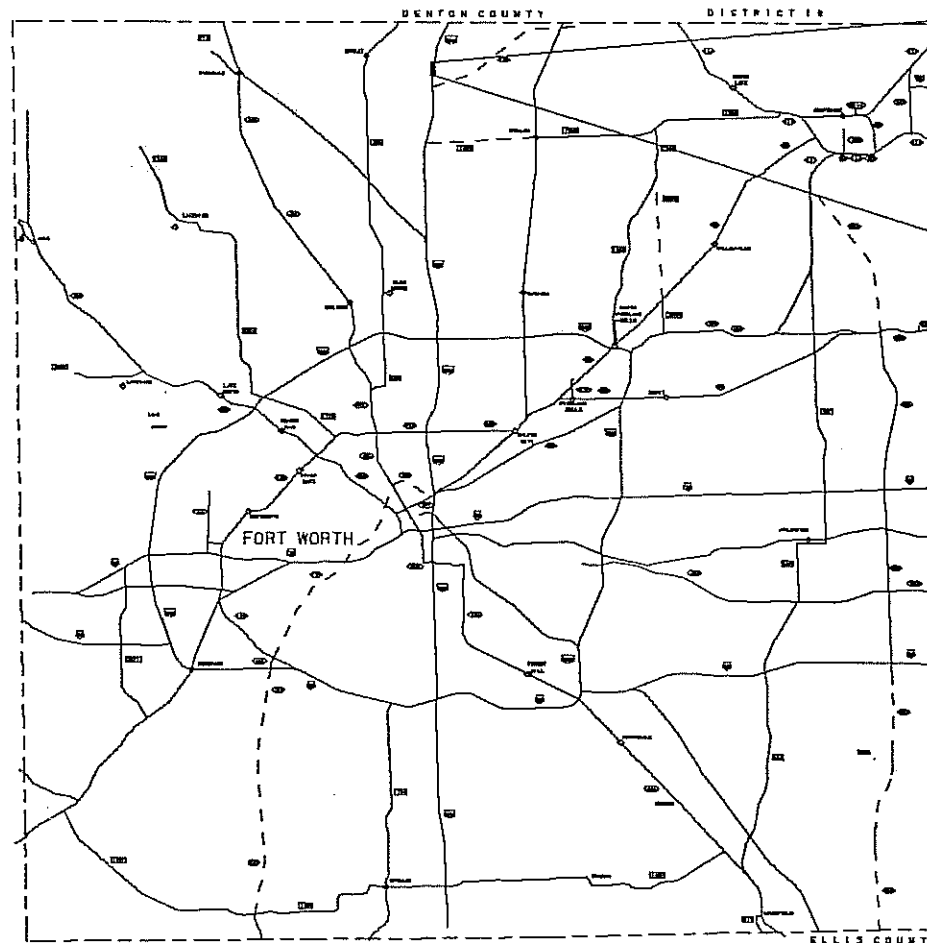
NET LENGTH OF PROJECT - 2600.00 FEET - 0.492 MILES
LIMITS: I-35W AT KELLER-HASLET ROAD

ROW CSJ 0081-12-027

Plan Scale as shown

I-35W C STA. 129+00.00
BEGIN CSJ NO. 81-12-023

I-35W C STA. 155+00.00
END CSJ NO. 81-12-023



CONVENTIONAL SIGNS

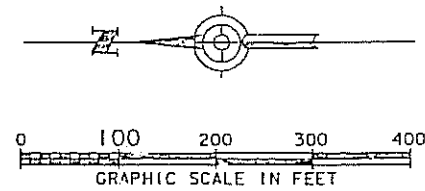
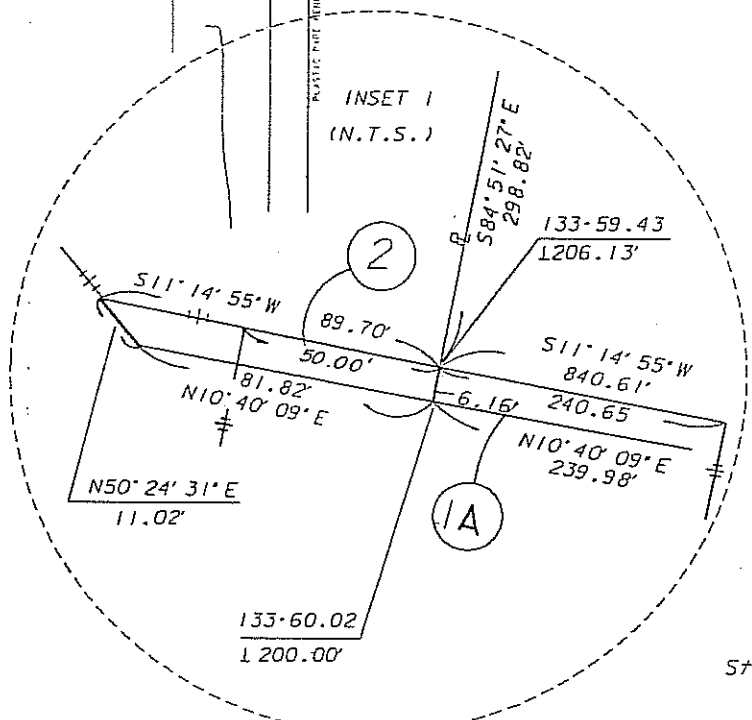
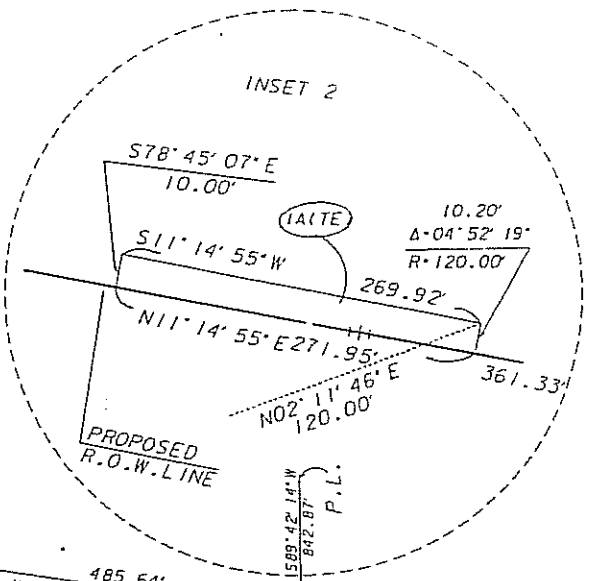
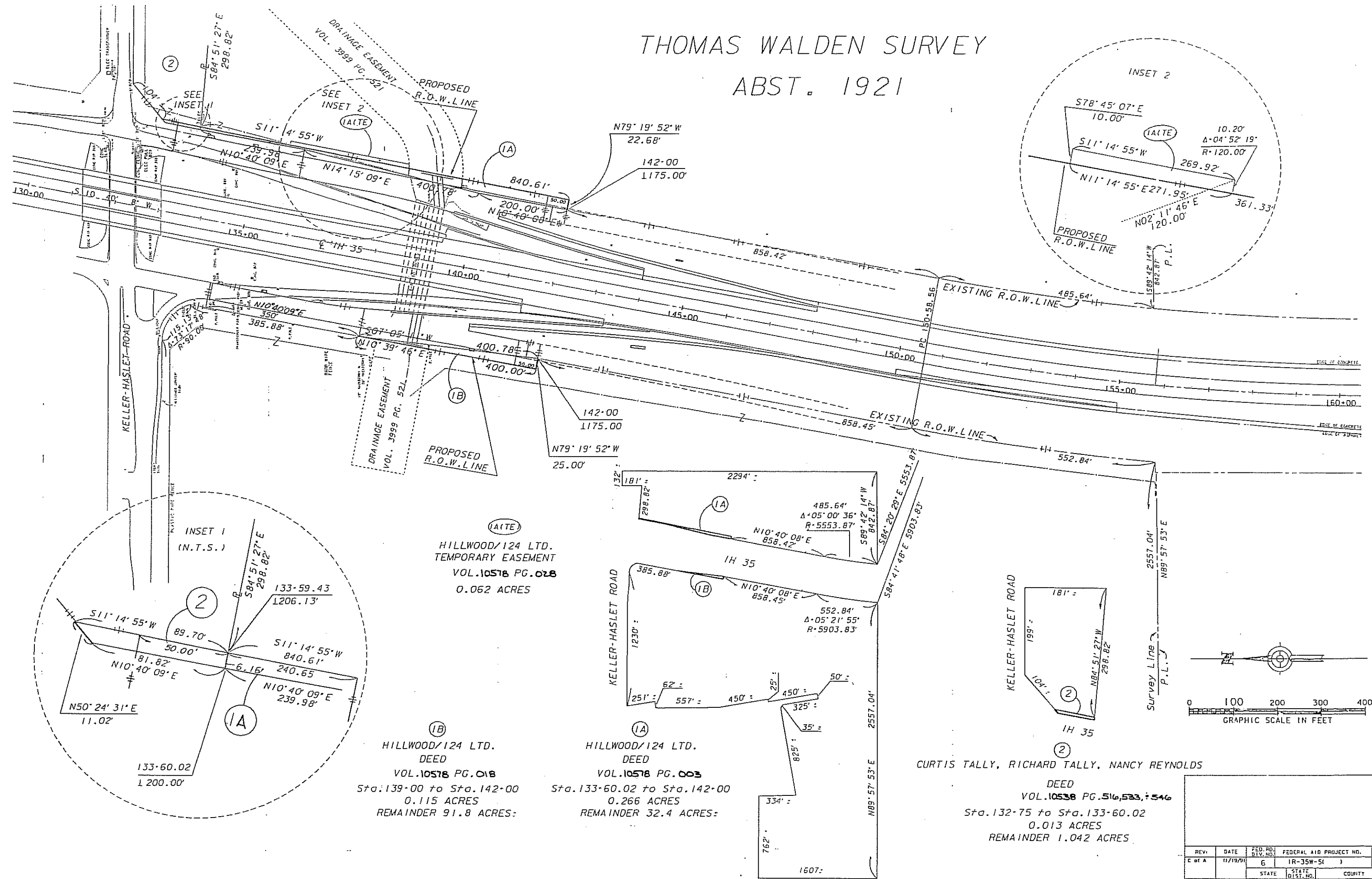
- RIGHT OF WAY LINE
- PROPERTY LINE
- COUNTY LINE
- CONTROL OF ACCESS LINE
- SURVEY LINE
- FENCE
- POWER LINE
- TELEPHONE OR TELEGRAPH
- RAILROAD
- BRIDGE OR CULVERT
- CITY LIMITS

CORRECT
DISTRICT R.O.W. ENGINEER *Administrative*

APPROVED:
DISTRICT ENGINEER

DEPARTMENT OF COMMERCE BUREAU OF PUBLIC ROADS	
APPROVED:	DATE
DIVISION ENGINEER	

THOMAS WALDEN SURVEY ABST. 1921



(AITE)
 HILLWOOD/124 LTD.
 TEMPORARY EASEMENT
 VOL. 10578 PG. 028
 0.062 ACRES

(B)
 HILLWOOD/124 LTD.
 DEED
 VOL. 10578 PG. 018
 Sta. 139-00 to Sta. 142-00
 0.115 ACRES
 REMAINDER 91.8 ACRES:

(A)
 HILLWOOD/124 LTD.
 DEED
 VOL. 10578 PG. 003
 Sta. 133-60.02 to Sta. 142-00
 0.266 ACRES
 REMAINDER 32.4 ACRES:

(2)
 CURTIS TALLY, RICHARD TALLY, NANCY REYNOLDS
 DEED
 VOL. 10538 PG. 516, 533, 546
 Sta. 132-75 to Sta. 133-60.02
 0.013 ACRES
 REMAINDER 1.042 ACRES

REV. NO.	DATE	FED. RD. DIV. NO.	FEDERAL AID PROJECT NO.	SHEET NO.
E of A	11/19/91	6	1R-35W-5()	2
DES.	TEXAS	STATE DIST. NO.	COUNTY	
DNH	CONT.	SECT.	JOB	HIGHWAY NO.
CR	81	12	23	1-35 W